



LCS106I - Lincat CombiSlim 1.06 Electric Counter-top Combi Oven - Injection - W 513 mm - 8.4 kW

Gain maximum flexibility using minimum space with CombiSlim ovens.

- ✓ Gain maximum flexibility using minimum space with CombiSlim ovens. These combi ovens measure only 51,3 cm in width and fit into all professional kitchens
- ✓ CombiSlim ovens are ideal for small-scale food production in take-away shops, cafés, etc
- ✓ Intuitive touch display SmartTouch® for programming
- ✓ 1/1GN compatible
- ✓ Steam injection, with CombiSmart® humidity control
- ✓ Ability to create cooking programmes with up to 15 steps
- ✓ Rack timer allowing accurate cooking times for different items on different shelves
- ✓ Two-step safety handle

Specifications

Summary

Brand	Lincat
Range	Lincat Combi Ovens
Series	CombiSlim
Power Type	Electric
Unit Type	Counter-top
Available in UK Only	Yes
UK Warranty	2 Years Parts and Labour Warranty
GTIN	5056105120582

Power and Performance

Total Power kW	8,4
Temperature Range °C	30-300
IP Rating	IPX4
Temperature Control	Electronic
Oven Rating kW	Steam connection = N/A; Hot air connection = 8.4

Key Specifications

WRAS Approved	Yes
Type of Lighting	Halogen
Number of Grids included	0

Capacity

Gastronorm Capacity	6 x GN1/1
Portions per Day	60

Weights and Dimensions

Unit Height (External) mm	753
Unit Width (External) mm	513
Unit Depth (External) mm	811
Height (Internal) mm	350
Width (Internal) mm	400
Depth (Internal) mm	630
Net Weight Kg	67

Supply Connections

Requires Installation	Yes
Requires Electrical Supply	Yes
UK 3 Pin Plug	No
Requires Hardwiring	Yes
Electrical Supply Rating Watts	8,400
Three Phase Amps	L1=14.0; L2=14.0; L3=14.0
Three Phase Voltage	400
Water Connection Pressure Bar	2,5-6
Drain Connection	DN 40 mm
Water Connection	3/4"

Shipping

Packed Weight Kg	82
Packed Height cm	80
Packed Width cm	60
Packed Depth cm	95

Available Options

INSTALLATION

LCO2001 Site Survey & Installation

COMMISSIONING

LCO3001 Commissioning

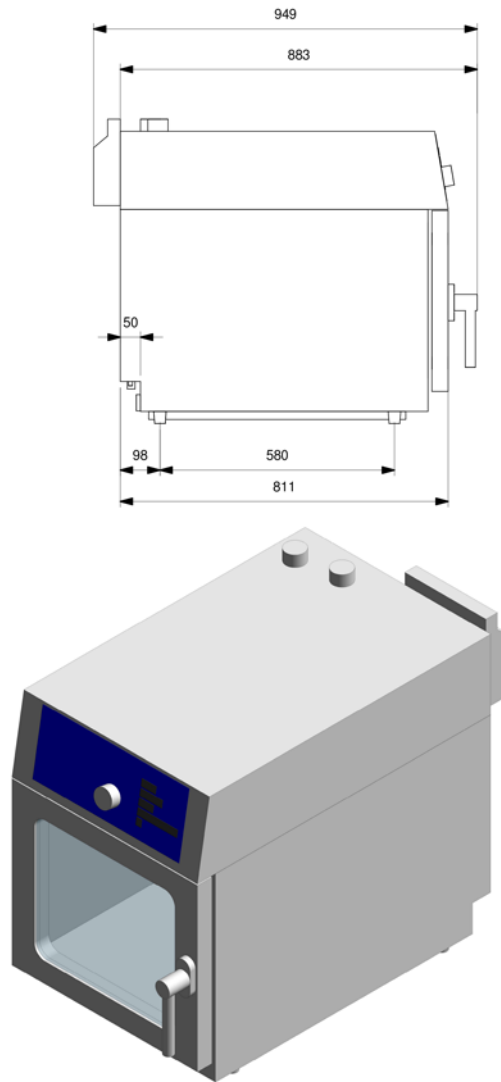
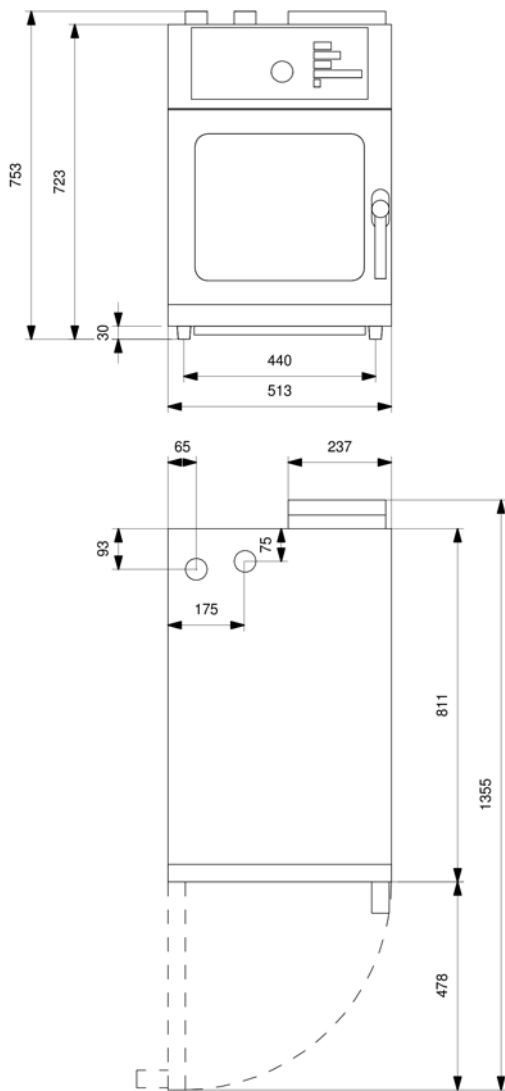
R/H DOOR INSTALL

LCO2002 Right Hinged Door Installation

Available Accessories

LCA1013LR	Lincat Combi Oven CombiPlus Stacking Kit and Low Floor Stand - for CombiSlim 1.06 on 1.06
LCA1014LR	Lincat Combi Oven CombiPlus Stacking Kit and Low Floor Stand - for CombiSlim 1.06 on 1.10
LCA3003	Lincat Combi Oven Imperial Non-stick Container - GN1/1(325 x 530 mm) - 20 mm deep
LCA3005	Lincat Combi Oven Imperial Non-stick Container - GN1/1(325 x 530 mm) - 40 mm deep
LCA3007	Lincat Combi Oven Imperial Non-stick Container - GN1/1(325 x 530 mm) - 60 mm deep
LCA3009	Lincat Combi Oven Imperial Pizza and Grilling Sheet - GN1/1(325 x 530 mm)
LCA3011	Lincat Combi Oven Imperial Grilling Grid - GN1/1(325 x 530 mm)
LCA3012	Lincat Combi Oven Imperial Potato Grid - GN1/1(325 x 530 mm) - 28 Potato Capacity
LCA3013	Lincat Combi Oven Imperial Multi-tray - 8 Moulds - GN1/1(325 x 530 mm)
LCA3015	Lincat Combi Oven Non-stick Aluminium Baking Sheet - GN1/1(325 x 530 mm)
LCA3017	Lincat Combi Oven Non-stick Perforated Aluminium Baking Sheet - GN1/1(325 x 530 mm)
LCA3019	Lincat Combi Oven Silicone Baking Mat - GN1/1(325 x 530 mm)
LCA3021	Lincat Combi Oven Steamfry Basket - GN1/1(325 x 530 mm)
LCA3023	Lincat Combi Oven Rack for Spare Ribs - GN1/1(325 x 530 mm)
LCA3024	Lincat Combi Oven Chicken Grid - GN1/2(325 x 265 mm) - 4 Chicken Capacity
LCA3025	Lincat Combi Oven Chicken Grid - GN1/1(325 x 530 mm) - 8 Chicken Capacity
LCA4001	Lincat Combi Oven Software Key - Quick Select Recipes (QSR)
LCA4002	Lincat Combi Oven Software Key - Advanced Rack Timer - Tailored Menu Handling
LCA5003	Lincat Combi Oven Condenser Hood - for CombiSlim Models
LCA6006	Lincat Combi Oven Static Stand for CombiSlim - Open Stand
LCC1001	Hydro Shield 3600 (L) Water Filter Cartridge - Recommended for CombiSlim and Visual Cooking 1.06/1.10
LCC1002	Hydro Shield 6000 (XL) Water Filter Cartridge - Recommended for Visual Cooking 1.20/2.06/2.10/2.20 and all Combi Ovens in hard water areas
LCC1003	Hydro Shield 3600 (L) Water Filter Kit - Including Filter, Filter Head and Hose - Recommended for CombiSlim and Visual Cooking 1.06/1.10
LCC1004	Hydro Shield 6000 (XL) Water Filter Kit - Including Filter, Filter Head and Hose - Recommended for 1.20/2.06/2.10/2.20 + all Ovens in hard water areas
LCC2003	Lincat Protect Intense Detergent - 2 x 5l
LCC2005	Lincat Protect Cleaning Package - 6 x 5l Intense Detergent and 2 x 5l Rinse Aid
LCC2006	Lincat Protect Rinse Aid - 2 x 5l

Technical Picture



Lincat Limited

Whisby Road,
Lincoln, LN6 3QZ,
United Kingdom

Company No: 2175448

A member company of



Customer Care

Tel: +44 1522 875500
Email: care@lincat.co.uk

Export Customers

Tel: +44 1522 875536
Email: export@lincat.co.uk

Opening Hours

Monday – Friday:
8.30am – 5pm