



LC210B - Lincat Visual Cooking 2.10 Electric Counter-top Combi Oven - Boiler - W 1122 mm - 27.0 kW

Choose Visual Cooking where high output and precise control are required.

- ✓ Intuitive touch display SmartTouch® for programming
- ✓ Efficient, controlled production and injection of steam, with hybrid boiler and injection steam production
- ✓ CombiSmart® 10-step humidity control, and ClimaOptima® automatic humidity control functions
- ✓ Ability to create cooking programmes with up to 15 steps
- ✓ Rack timer allowing accurate cooking times for different items on different shelves
- ✓ 10 x GN2/1 capacity
- ✓ Ideal for menus which require a high volume of steaming
- ✓ Two-step safety handle

Specifications

Summary

Brand	Lincat
Range	Lincat Combi Ovens
Series	Visual Cooking
Power Type	Electric
Unit Type	Counter-top
Available in UK Only	Yes
UK Warranty	2 Years Parts and Labour Warranty
GTIN	5056105120469

Power and Performance

Total Power kW	27
Temperature Range °C	30-300
IP Rating	IPX5
Temperature Control	Electronic
Oven Rating kW	Steam connection = 27.0; Hot air connection = 27.0

Key Specifications

WRAS Approved	Yes
Type of Lighting	Halogen
Number of Grids included	0

Capacity

Gastronorm Capacity	10 x GN2/1
Portions per Day	300

Weights and Dimensions

Unit Height (External) mm	1075
Unit Width (External) mm	1122
Unit Depth (External) mm	951
Height (Internal) mm	785
Width (Internal) mm	620
Depth (Internal) mm	795
Net Weight Kg	210

Supply Connections

Requires Installation	Yes
Requires Electrical Supply	Yes
UK 3 Pin Plug	No
Requires Hardwiring	Yes
Electrical Supply Rating Watts	27,000
Three Phase Amps	L1=39.0; L2=39.0; L3=39.0
Three Phase Voltage	400
Water Connection Pressure Bar	2.5-6
Drain Connection	DN 50 mm
Water Connection	3/4"

Shipping

Packed Weight Kg	230
Packed Height cm	121
Packed Width cm	110
Packed Depth cm	125

Available Options

INSTALLATION

LCO2001 Site Survey & Installation

COMMISSIONING

LCO3001 Commissioning

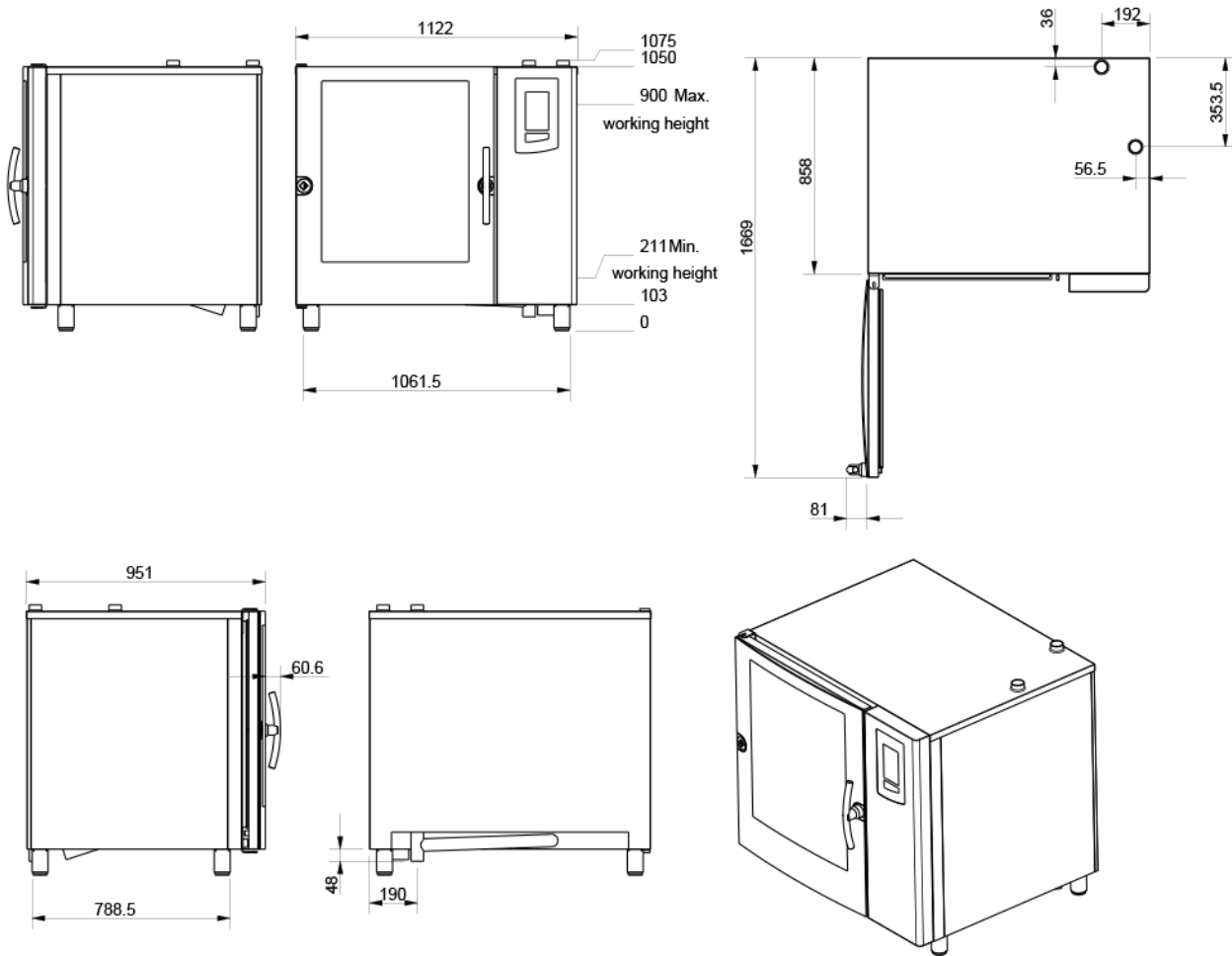
R/H DOOR INSTALL

LCO2002 Right Hinged Door Installation

Available Accessories

LCA1008L	Lincat Combi Oven CombiPlus Stacking Kit and Low Floor Stand - for Visual Cooking 2.06 on 2.10 Electric - Standard Left Hinged Model
LCA1008R	Lincat Combi Oven CombiPlus Stacking Kit and Low Floor Stand - for Visual Cooking 2.06 on 2.10 Electric - Right Hinged Model
LCA3003	Lincat Combi Oven Imperial Non-stick Container - GN1/1(325 x 530 mm) - 20 mm deep
LCA3005	Lincat Combi Oven Imperial Non-stick Container - GN1/1(325 x 530 mm) - 40 mm deep
LCA3007	Lincat Combi Oven Imperial Non-stick Container - GN1/1(325 x 530 mm) - 60 mm deep
LCA3009	Lincat Combi Oven Imperial Pizza and Grilling Sheet - GN1/1(325 x 530 mm)
LCA3011	Lincat Combi Oven Imperial Grilling Grid - GN1/1(325 x 530 mm)
LCA3012	Lincat Combi Oven Imperial Potato Grid - GN1/1(325 x 530 mm) - 28 Potato Capacity
LCA3013	Lincat Combi Oven Imperial Multi-tray - 8 Moulds - GN1/1(325 x 530 mm)
LCA3015	Lincat Combi Oven Non-stick Aluminium Baking Sheet - GN1/1(325 x 530 mm)
LCA3021	Lincat Combi Oven Steamfry Basket - GN1/1(325 x 530 mm)
LCA3023	Lincat Combi Oven Rack for Spare Ribs - GN1/1(325 x 530 mm)
LCA3024	Lincat Combi Oven Chicken Grid - GN1/2(325 x 265 mm) - 4 Chicken Capacity
LCA3025	Lincat Combi Oven Chicken Grid - GN1/1(325 x 530 mm) - 8 Chicken Capacity
LCA4001	Lincat Combi Oven Software Key - Quick Select Recipes (QSR)
LCA4002	Lincat Combi Oven Software Key - Advanced Rack Timer - Tailored Menu Handling
LCA5002	Lincat Combi Oven Condenser Hood - for Visual Cooking 2.06/2.10/2.20 not Stacked Units
LCA6003	Lincat Combi Oven Static Stand for Visual Cooking 2.01/2.10 - 8 Pairs of Support Rails
LCA6005	Lincat Combi Oven Mobile Stand for Visual Cooking 2.01/2.10 - 8 Pairs of Support Rails
LCC1001	Hydro Shield 3600(L) Water Filter Cartridge - Recommended for CombiSlim and Visual Cooking 1.06/1.10
LCC1002	Hydro Shield 6000 (XL) Water Filter Cartridge - Recommended for Visual Cooking 1.20/2.06/2.10/2.20 and all Combi Ovens in hard water areas
LCC1003	Hydro Shield 3600(L) Water Filter Kit - Including Filter, Filter Head and Hose - Recommended for CombiSlim and Visual Cooking 1.06/1.10
LCC1004	Hydro Shield 6000 (XL) Water Filter Kit - Including Filter, Filter Head and Hose - Recommended for 1.20/2.06/2.10/2.20 + all Ovens in hard water areas
LCC2003	Lincat Protect Intense Detergent - 2 x 5l
LCC2005	Lincat Protect Cleaning Package - 6 x 5l Intense Detergent and 2 x 5l Rinse Aid
LCC2006	Lincat Protect Rinse Aid - 2 x 5l

Technical Picture



Lincat Limited

Whisby Road,
Lincoln, LN6 3QZ,
United Kingdom

Company No: 2175448

A member company of



Customer Care

Tel: +44 1522 875500
Email: care@lincat.co.uk

Export Customers

Tel: +44 1522 875536
Email: export@lincat.co.uk

Opening Hours

Monday – Friday:
8.30am – 5pm