



LC110B/P - Lincat Visual Cooking 1.10 Propane Gas Counter-top Combi Oven - Boiler - W 897 mm - 21.0 kW [Gas] + 1.0 kW [Electric]

Choose Visual Cooking where high output and precise control are required.

- ✓ Intuitive touch display SmartTouch® for programming
- ✓ Efficient, controlled production and injection of steam, with hybrid boiler and injection steam production
- ✓ CombiSmart® 10-step humidity control, and ClimaOptima® automatic humidity control functions
- ✓ Ability to create cooking programmes with up to 15 steps
- ✓ Rack timer allowing accurate cooking times for different items on different shelves
- ✓ 10 x GN1/1 capacity
- ✓ Ideal for menus which require a high volume of steaming
- ✓ Two-step safety handle

Specifications

Summary		Power and Performance	
<b>Brand</b>	Lincat	<b>Total Power kW</b>	1
<b>Range</b>	Lincat Combi Ovens	<b>Temperature Range °C</b>	30-300
<b>Series</b>	Visual Cooking	<b>IP Rating</b>	IPX5
<b>Power Type</b>	Gas	<b>Temperature Control</b>	Electronic
<b>Gas Type</b>	Propane Gas	<b>Oven Rating kW</b>	Steam connection = 21.0; Hot air connection = 21.0
<b>Unit Type</b>	Counter-top		
<b>Available in UK Only</b>	Yes		
<b>UK Warranty</b>	2 Years Parts and Labour Warranty		
<b>GTIN</b>	5056105120308		

Key Specifications		Capacity	
<b>WRAS Approved</b>	Yes	<b>Gastronorm Capacity</b>	10 x GN1/1
<b>Type of Lighting</b>	Halogen	<b>Portions per Day</b>	150
<b>Number of Grids included</b>	0		

Weights and Dimensions		Supply Connections	
<b>Unit Height (External) mm</b>	1075	<b>Requires Installation</b>	Yes
<b>Unit Width (External) mm</b>	897	<b>Requires Electrical Supply</b>	Yes
<b>Unit Depth (External) mm</b>	831	<b>UK 3 Pin Plug</b>	Yes
<b>Height (Internal) mm</b>	785	<b>Requires Hardwiring</b>	No
<b>Width (Internal) mm</b>	460	<b>Electrical Supply Rating Watts</b>	1,000
<b>Depth (Internal) mm</b>	690	<b>Single Phase Amps</b>	8.5
<b>Net Weight Kg</b>	175	<b>Single Phase Voltage</b>	230
		<b>Gas Connection BSP</b>	3/4"
		<b>Gas Pressure Propane mbar</b>	30-50
		<b>Total heat input at full rate Propane kW</b>	21
		<b>Total heat input at full rate Propane BTU per hour</b>	80,000
		<b>Water Connection Pressure Bar</b>	2.5-6
		<b>Drain Connection</b>	DN 50 mm
		<b>Water Connection</b>	3/4"

**Shipping**

<b>Packed Weight Kg</b>	195
<b>Packed Height cm</b>	121
<b>Packed Width cm</b>	100
<b>Packed Depth cm</b>	120

**Available Options**

**INSTALLATION**

**LCO2001** Site Survey & Installation

**COMMISSIONING**

**LCO3001** Commissioning

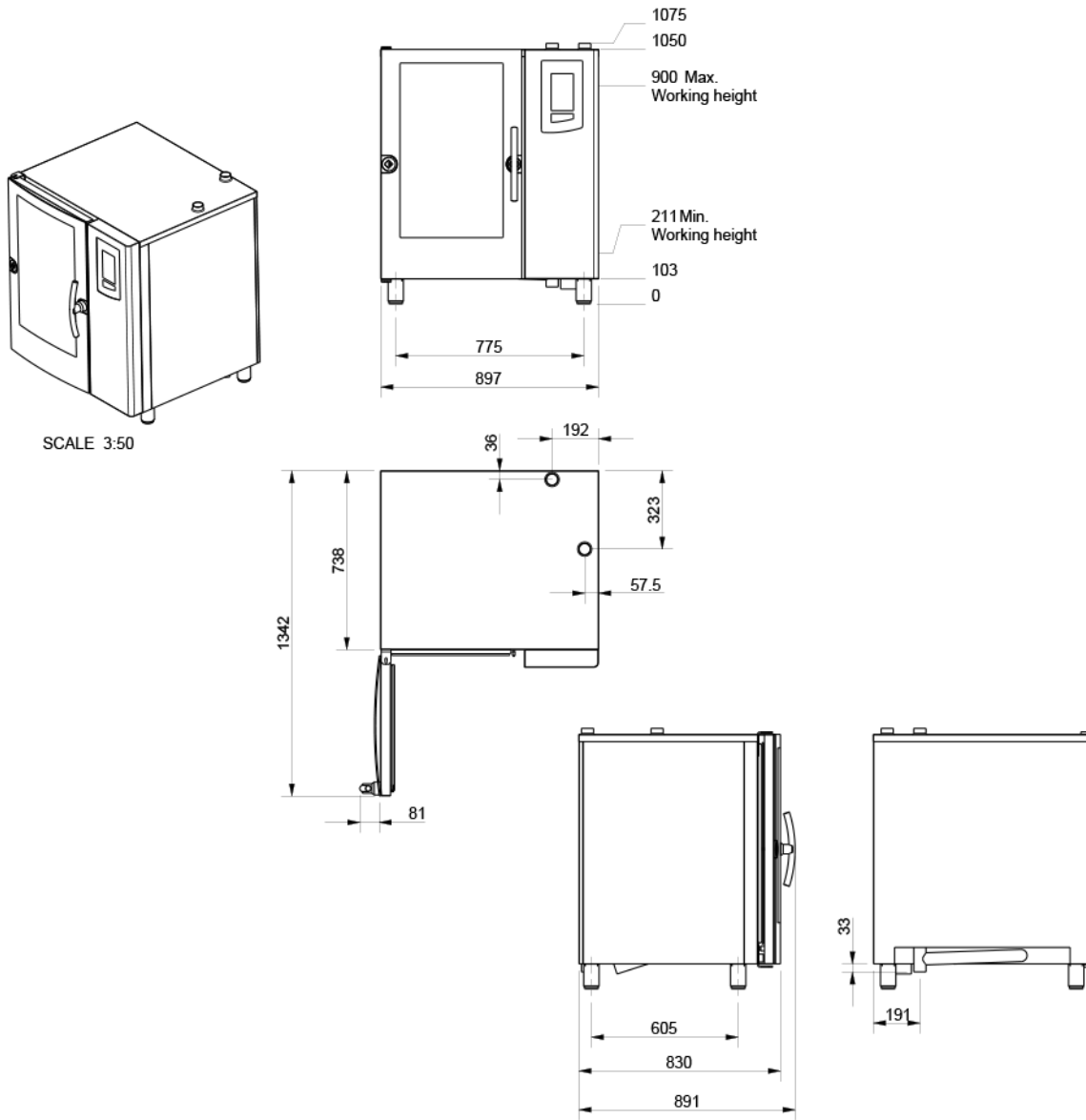
**R/H DOOR INSTALL**

**LCO2002** Right Hinged Door Installation

**Available Accessories**

<b>LCA1006L</b>	Lincat Combi Oven CombiPlus Stacking Kit and Low Floor Stand - for Visual Cooking 1.06 on 1.10 Gas - Boiler - Left Hinged Model
<b>LCA1006R</b>	Lincat Combi Oven CombiPlus Stacking Kit and Low Floor Stand - for Visual Cooking 1.06 on 1.10 Gas - Boiler - Right Hinged Model
<b>LCA3003</b>	Lincat Combi Oven Imperial Non-stick Container - GN1/1(325 x 530 mm) - 20 mm deep
<b>LCA3005</b>	Lincat Combi Oven Imperial Non-stick Container - GN1/1(325 x 530 mm) - 40 mm deep
<b>LCA3007</b>	Lincat Combi Oven Imperial Non-stick Container - GN1/1(325 x 530 mm) - 60 mm deep
<b>LCA3009</b>	Lincat Combi Oven Imperial Pizza and Grilling Sheet - GN1/1(325 x 530 mm)
<b>LCA3011</b>	Lincat Combi Oven Imperial Grilling Grid - GN1/1(325 x 530 mm)
<b>LCA3012</b>	Lincat Combi Oven Imperial Potato Grid - GN1/1(325 x 530 mm) - 28 Potato Capacity
<b>LCA3013</b>	Lincat Combi Oven Imperial Multi-tray - 8 Moulds - GN1/1(325 x 530 mm)
<b>LCA3015</b>	Lincat Combi Oven Non-stick Aluminium Baking Sheet - GN1/1(325 x 530 mm)
<b>LCA3017</b>	Lincat Combi Oven Non-stick Perforated Aluminium Baking Sheet - GN1/1(325 x 530 mm)
<b>LCA3019</b>	Lincat Combi Oven Silicone Baking Mat - GN1/1(325 x 530 mm)
<b>LCA3021</b>	Lincat Combi Oven Steamfry Basket - GN1/1(325 x 530 mm)
<b>LCA3023</b>	Lincat Combi Oven Rack for Spare Ribs - GN1/1(325 x 530 mm)
<b>LCA3024</b>	Lincat Combi Oven Chicken Grid - GN1/2(325 x 265 mm) - 4 Chicken Capacity
<b>LCA3025</b>	Lincat Combi Oven Chicken Grid - GN1/1(325 x 530 mm) - 8 Chicken Capacity
<b>LCA4001</b>	Lincat Combi Oven Software Key - Quick Select Recipes (QSR)
<b>LCA4002</b>	Lincat Combi Oven Software Key - Advanced Rack Timer - Tailored Menu Handling
<b>LCA5001</b>	Lincat Combi Oven Condenser Hood - for Visual Cooking 1.06/1.10/1.20 not Stacked Units
<b>LCA6002</b>	Lincat Combi Oven Static Stand for Visual Cooking 1.06/1.10 - 8 Pairs of Support Rails
<b>LCA6004</b>	Lincat Combi Oven Mobile Stand for Visual Cooking 1.06/1.10 - 8 Pairs of Support Rails
<b>LCC1001</b>	Hydro Shield 3600(L) Water Filter Cartridge - Recommended for CombiSlim and Visual Cooking 1.06/1.10
<b>LCC1002</b>	Hydro Shield 6000(XL) Water Filter Cartridge - Recommended for Visual Cooking 1.20/2.06/2.10/2.20 and all Combi Ovens in hard water areas
<b>LCC1003</b>	Hydro Shield 3600(L) Water Filter Kit - Including Filter, Filter Head and Hose - Recommended for CombiSlim and Visual Cooking 1.06/1.10
<b>LCC1004</b>	Hydro Shield 6000(XL) Water Filter Kit - Including Filter, Filter Head and Hose - Recommended for 1.20/2.06/2.10/2.20 + all Ovens in hard water areas
<b>LCC2003</b>	Lincat Protect Intense Detergent - 2 x 5l
<b>LCC2005</b>	Lincat Protect Cleaning Package - 6 x 5l Intense Detergent and 2 x 5l Rinse Aid
<b>LCC2006</b>	Lincat Protect Rinse Aid - 2 x 5l

Technical Picture



**Lincat Limited**

Whisby Road,  
Lincoln, LN6 3QZ,  
United Kingdom

**Company No:** 2175448

A member company of



**Customer Care**

**Tel:** +44 1522 875500  
**Email:** care@lincat.co.uk

**Export Customers**

**Tel:** +44 1522 875536  
**Email:** export@lincat.co.uk

**Opening Hours**

**Monday – Friday:**  
8.30am – 5pm