



LC106I/N - Lincat Visual Cooking 1.06 Natural Gas Counter-top Combi Oven - Injection - W 897 mm - 13.0 kW [Gas] + 1.0 kW [Electric]

Choose Visual Cooking where high output and precise control are required.

- ✓ Intuitive touch display SmartTouch® for programming
- ✓ Immediate production of steam with injection steam production
- ✓ CombiSmart® 10-step humidity control, and ClimaOptima® automatic humidity control functions
- ✓ Ability to create cooking programmes with up to 15 steps
- ✓ Rack timer allowing accurate cooking times for different items on different shelves
- ✓ 6 x GN1/1 capacity
- ✓ Ideal for menus which require a lower volume of steaming
- ✓ Two-step safety handle

**Specifications**

**Summary** **Power and Performance**

<p><b>Brand</b> Lincat</p> <p><b>Range</b> Lincat Combi Ovens</p> <p><b>Series</b> Visual Cooking</p> <p><b>Power Type</b> Gas</p> <p><b>Gas Type</b> Natural Gas</p> <p><b>Unit Type</b> Counter-top</p> <p><b>Available in UK Only</b> Yes</p> <p><b>UK Warranty</b> 2 Years Parts and Labour Warranty</p> <p><b>GTIN</b> 5056105120254</p>	<p><b>BTU per Hour</b> 50,000</p> <p><b>Total Power kW</b> 1</p> <p><b>Temperature Range °C</b> 30-300</p> <p><b>IP Rating</b> IPX5</p> <p><b>Temperature Control</b> Electronic</p> <p><b>Oven Rating kW</b> Steam connection = N/A; Hot air connection = 13.0</p>
---	---

**Key Specifications** **Capacity**

<p><b>WRAS Approved</b> Yes</p> <p><b>Type of Lighting</b> Halogen</p> <p><b>Number of Grids included</b> 0</p>	<p><b>Gastronorm Capacity</b> 6 x GN1/1</p> <p><b>Portions per Day</b> 90</p>
---	---

**Weights and Dimensions** **Supply Connections**

<p><b>Unit Height (External) mm</b> 815</p> <p><b>Unit Width (External) mm</b> 897</p> <p><b>Unit Depth (External) mm</b> 831</p> <p><b>Height (Internal) mm</b> 525</p> <p><b>Width (Internal) mm</b> 460</p> <p><b>Depth (Internal) mm</b> 690</p> <p><b>Net Weight Kg</b> 135</p>	<p><b>Requires Installation</b> Yes</p> <p><b>Requires Electrical Supply</b> Yes</p> <p><b>UK 3 Pin Plug</b> Yes</p> <p><b>Requires Hardwiring</b> No</p> <p><b>Electrical Supply Rating Watts</b> 1,000</p> <p><b>Single Phase Amps</b> 8.5</p> <p><b>Single Phase Voltage</b> 230</p> <p><b>Gas Connection BSP</b> 3/4"</p> <p><b>Gas Pressure Natural mbar</b> 18-25</p> <p><b>Total heat input at full rate Natural kW</b> 13</p> <p><b>Total heat input at full rate Natural BTU per hour</b> 50,000</p> <p><b>Water Connection Pressure Bar</b> 2.5-6</p> <p><b>Drain Connection</b> DN 50 mm</p> <p><b>Water Connection</b> 3/4"</p>
--	---

**Shipping**

<b>Packed Weight Kg</b>	155
<b>Packed Height cm</b>	95
<b>Packed Width cm</b>	100
<b>Packed Depth cm</b>	120

**Available Options**

**INSTALLATION**

**LCO2001** Site Survey & Installation

**COMMISSIONING**

**LCO3001** Commissioning

**R/H DOOR INSTALL**

**LCO2002** Right Hinged Door Installation

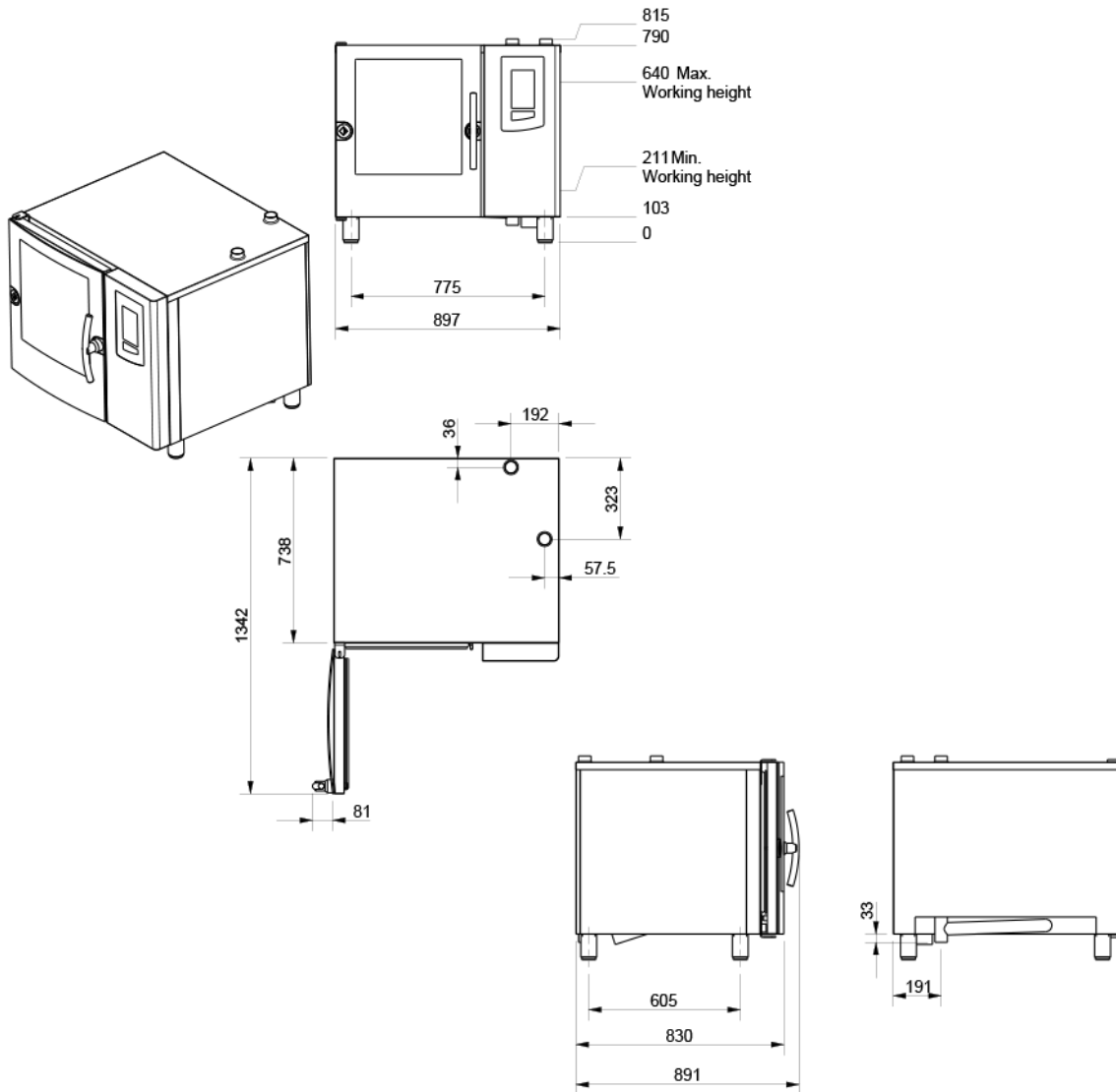
**Available Accessories**

<b>LCA1003L</b>	Lincat Combi Oven CombiPlus Stacking Kit and Low Floor Stand - for Visual Cooking 1.06 on 1.06 Gas - Injection - Left Hinged Model
<b>LCA1003R</b>	Lincat Combi Oven CombiPlus Stacking Kit and Low Floor Stand - for Visual Cooking 1.06 on 1.06 Gas - Injection - Right Hinged Model
<b>LCA1005L</b>	Lincat Combi Oven CombiPlus Stacking Kit and Low Floor Stand - for Visual Cooking 1.06 on 1.10 Gas - Injection - Left Hinged Model
<b>LCA1005R</b>	Lincat Combi Oven CombiPlus Stacking Kit and Low Floor Stand - for Visual Cooking 1.06 on 1.10 Gas - Injection - Right Hinged Model
<b>LCA3003</b>	Lincat Combi Oven Imperial Non-stick Container - GN1/1(325 x 530 mm) - 20 mm deep
<b>LCA3005</b>	Lincat Combi Oven Imperial Non-stick Container - GN1/1(325 x 530 mm) - 40 mm deep
<b>LCA3007</b>	Lincat Combi Oven Imperial Non-stick Container - GN1/1(325 x 530 mm) - 60 mm deep
<b>LCA3009</b>	Lincat Combi Oven Imperial Pizza and Grilling Sheet - GN1/1(325 x 530 mm)
<b>LCA3011</b>	Lincat Combi Oven Imperial Grilling Grid - GN1/1(325 x 530 mm)
<b>LCA3012</b>	Lincat Combi Oven Imperial Potato Grid - GN1/1(325 x 530 mm) - 28 Potato Capacity
<b>LCA3013</b>	Lincat Combi Oven Imperial Multi-tray - 8 Moulds - GN1/1(325 x 530 mm)
<b>LCA3015</b>	Lincat Combi Oven Non-stick Aluminium Baking Sheet - GN1/1(325 x 530 mm)
<b>LCA3017</b>	Lincat Combi Oven Non-stick Perforated Aluminium Baking Sheet - GN1/1(325 x 530 mm)
<b>LCA3019</b>	Lincat Combi Oven Silicone Baking Mat - GN1/1(325 x 530 mm)
<b>LCA3021</b>	Lincat Combi Oven Steamfry Basket - GN1/1(325 x 530 mm)
<b>LCA3023</b>	Lincat Combi Oven Rack for Spare Ribs - GN1/1(325 x 530 mm)
<b>LCA3024</b>	Lincat Combi Oven Chicken Grid - GN1/2(325 x 265 mm) - 4 Chicken Capacity
<b>LCA3025</b>	Lincat Combi Oven Chicken Grid - GN1/1(325 x 530 mm) - 8 Chicken Capacity
<b>LCA4001</b>	Lincat Combi Oven Software Key - Quick Select Recipes (QSR)
<b>LCA4002</b>	Lincat Combi Oven Software Key - Advanced Rack Timer - Tailored Menu Handling
<b>LCA5001</b>	Lincat Combi Oven Condenser Hood - for Visual Cooking 1.06/1.10/1.20 not Stacked Units
<b>LCA6002</b>	Lincat Combi Oven Static Stand for Visual Cooking 1.06/1.10 - 8 Pairs of Support Rails
<b>LCA6004</b>	Lincat Combi Oven Mobile Stand for Visual Cooking 1.06/1.10 - 8 Pairs of Support Rails
<b>LCC1001</b>	Hydro Shield 3600(L) Water Filter Cartridge - Recommended for CombiSlim and Visual Cooking 1.06/1.10
<b>LCC1002</b>	Hydro Shield 6000(XL) Water Filter Cartridge - Recommended for Visual Cooking 1.20/2.06/2.10/2.20 and all Combi Ovens in hard water areas
<b>LCC1003</b>	Hydro Shield 3600(L) Water Filter Kit - Including Filter, Filter Head and Hose - Recommended for CombiSlim and Visual Cooking 1.06/1.10
<b>LCC1004</b>	Hydro Shield 6000(XL) Water Filter Kit - Including Filter, Filter Head and Hose - Recommended for 1.20/2.06/2.10/2.20 + all Ovens in hard water areas
<b>LCC2003</b>	Lincat Protect Intense Detergent - 2 x 5l

Available Accessories

- LCC2005** Lincat Protect Cleaning Package - 6 x 5l Intense Detergent and 2 x 5l Rinse Aid
- LCC2006** Lincat Protect Rinse Aid - 2 x 5l

Technical Picture





**Lincat Limited**

Whisby Road,  
Lincoln, LN6 3QZ,  
United Kingdom

**Company No:** 2175448

A member company of



**Customer Care**

**Tel:** +44 1522 875500  
**Email:** care@lincat.co.uk

**Export Customers**

**Tel:** +44 1522 875536  
**Email:** export@lincat.co.uk

**Opening Hours**

**Monday – Friday:**  
8.30am – 5pm