



*solo per professionisti*

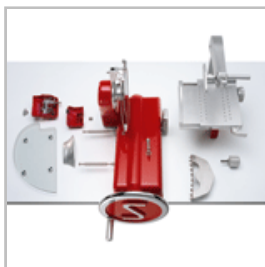
Sirman Spa  
Viale dell'industria 9/11  
35010 Pieve di Curtarolo (PD) Italy  
Tel. +39 049 9698666  
Fax. +39 049 9698688  
E-mail. [info@sirman.com](mailto:info@sirman.com)

## ANNIVERSARIO 300



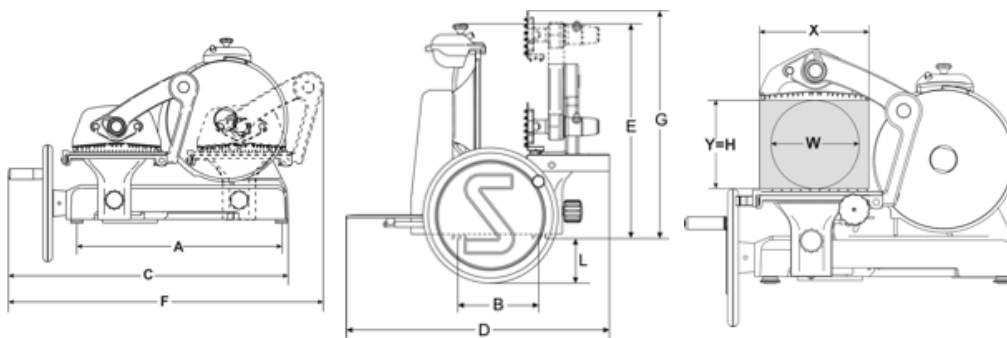
- Flywheel Slicer ANNIVERSARIO 300
- 300 mm (12") blade Flywheel slicer.
- Polished and painted aluminium construction.
- Featuring stainless steel and silver anodized aluminum details.
- Patented motion system with no visible mechanical parts.
- Table featuring a lateral movement with a double articulating arm BS1 to firmly hold and smoothly slide the produce through.
- Removable carriage for ease of cleaning.
- Simple, yet stylish Italian design, rounded for ease of cleaning.
- The only one featuring a removable carriage. Easy to clean and disassemble without tools.

## DETAILS



Red stand

## TECHNICAL DATA



<b>Model</b>	ANNIVERSARIO 300
<b>Ø blade</b>	mm 300 - inch. 12"
<b>Cut thickness</b>	mm 0÷3
<b>Run of carriage</b>	mm 285
<b>Hopper</b>	mm 270x295
<b>A</b>	mm 520
<b>B</b>	mm 180
<b>C</b>	mm 770
<b>D</b>	mm 625
<b>E</b>	mm 510
<b>F</b>	mm 855
<b>G</b>	mm 590
<b>L</b>	mm 90
<b>X</b>	mm 270
<b>Y</b>	mm 200
<b>H</b>	mm 200
<b>W</b>	mm 200
<b>Net weight</b>	kg 60