

# Falcon Xpress Ovens



**Falcon Xpress MXP | Heavy Volume**  
This category of high speed oven is ideal for...

## Applications

- Theatres
- Convenience Stores
- Satellite Locations
- Healthcare
- Stadiums
- Pizzerias
- Hotel Room Service
- University Dining
- Snack Bars

## Through put potential (per hour)

| Food item            | QTY per hour |
|----------------------|--------------|
| 12" frozen pizza     | 21           |
| Toasted sandwiches   | 80+          |
| Grilled fresh Salmon | 28           |
| Toasted Bagel        | 120          |
| Chicken wings        | 24           |
| Quesadillas          | 70           |

## Location of Oven(s):

- Kitchen countertop, single or stacked
- Kitchen shelf
- Equipment stand

All Falcon Xpress products are supported by our culinary team. Do not hesitate to contact us for any questions regarding food preparation, menu development and cooking times:

[chef@falconfoodservice.com](mailto:chef@falconfoodservice.com)



## Falcon Xpress MXP

### High Speed Oven

#### Superior cooking results *FAST!*

- 2000W impingement enhances browning. Easily adjustable 0-100% fan speed
- 95° - 270°C convection temperature range
- 3000W Infra-red radiant enhances toasting, browning, and crisping
- 2000 - 2200W dual side antenna feed microwave system heats quickly reduces cooking time

#### Simplifies cooking

- True-Touch™ HD Touchscreen. Fully customisable 7" smartphone-like display
- Catalytic converter built-in for ventless operation
- Large interior easily accommodates a 14" pizza

#### Multi-language universal operation, with programming flexibility

- Touchscreen and programming software supports 25 languages
- Image-based menu selection eliminates language and literary barriers
- Connectivity Standard: WiFi, Ethernet, and Smart USB standard

#### Cuts Costs

- Uses less energy than a conventional oven
- Eliminates need for pre-cooking and holding
- Uses standard metal trays, pans and screens

#### Safe operation and simple cleaning

- Inner door drops down below cooking surface for safe removal of food from cavity
- Porcelain IR element cover enhances operator safety and simplifies maintenance
- Infra-red element tilts-up for cleaning
- Non-stick oven liners available for easy cleaning
- Two removable, cleanable, and reusable air filters protect oven components

#### Included Accessories:

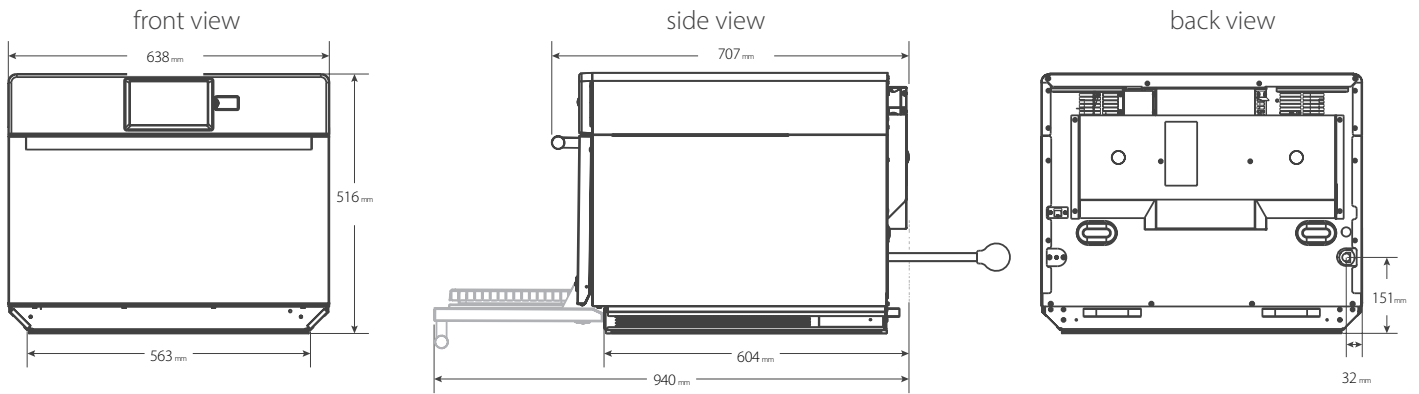
- Oven paddle (PA10)
- Non-stick liners (TL10)

#### Optional Accessories

- Panini grill plate (GR10)
- Panini Press (PRS10)
- Pizza Stone (ST10X)
- Square metal pan (SQ10)
- 10cm Leg kit (LG10)
- Non-stick baskets
- Stainless cart/equipment stands:
- Oven Cleaner and Shield Protectant



# Falcon Xpress MXP | High Speed Oven



| Dimensions              |                     |           |            |
|-------------------------|---------------------|-----------|------------|
| Exterior                | H 516               | W 638     | D† 707     |
| Oven                    | H 254               | W 406     | D 381      |
| Usable Oven Space       | 39 litres           |           |            |
| Door Depth              | 940, drop down door |           |            |
| Installation Clearances | Top: 51             | Sides: 25 | Back: None |
| Shipping Carton         | H 622               | W 879     | D 828      |

| Weight                |       |
|-----------------------|-------|
| Product Weight        | 68 kg |
| Ship weight (approx.) | 79 kg |

A type D circuit breaker should be installed for all high-speed oven installations.



Measurements are millimeters.

\* IEC 60705 Tested

† Includes handle

‡ Catalytic convertor filters grease and odors from the air. This product conforms to the Ventless Operation Recommendations set forth by NFPA96 using EPA202 test method

| Features               |                                                  |
|------------------------|--------------------------------------------------|
| Configuration          | Countertop                                       |
| Stackable              | Yes                                              |
| Display                | 7" Capacitive Touch, High resolution LCD display |
| USB Port               | Yes                                              |
| Connectivity           | Wifi and Ethernet                                |
| Program Menu           | Tab & Multi-level menu capability                |
| Menu Capacity          | 1200+ items                                      |
| Max. Cooking Time      | 99:99                                            |
| Temperature Range      | 95° - 270°C                                      |
| Microwave Distribution | Double side oscillating antenna                  |
| Fan Speed              | 0-100%                                           |
| Power Levels           | 11                                               |
| Defrost                | Yes, microwave only, power level 2               |
| Time Entry Option      | Yes                                              |
| Stage Cooking          | Yes, 4                                           |
| Catalytic Converter    | Yes‡                                             |
| Air Filter             | 2 removable, with clean filter reminder          |
| Rack                   | 1 rack position, removable                       |
| Door Opening           | Pull down, ergonomic handle                      |
| Exterior Finish        | Stainless steel & Painted Steel                  |
| Interior Finish        | Stainless steel                                  |

| Electrical Configuration        |                   |                            |            |           |                                         |                                                                                               |             |           |           |  |
|---------------------------------|-------------------|----------------------------|------------|-----------|-----------------------------------------|-----------------------------------------------------------------------------------------------|-------------|-----------|-----------|--|
| Model Number / Product Code     | Power Consumption | Power Output/Cooking Power |            |           | Power Source                            | Plug Configuration                                                                            | Cord Length | Frequency | Magnetron |  |
|                                 |                   | Impingement                | IR-Radiant | Microwave |                                         |                                                                                               |             |           |           |  |
| <b>MXP5221TLTF</b><br>710636512 | 5800 W, 27.4 A    | 2000 W                     | 3000 W     | 2200 W*   | 230-240 V, 50 Hz,<br>32 A, single phase | IEC 309  | 2.4 m       | 2450MHz   | 2         |  |
| <b>MXP5223TLTF</b><br>710636612 | 5800 W, 16 A      | 2000 W                     | 3000 W     | 2200 W*   | 400 V, 50 Hz,<br>16 A, 3 phase, 5 wire  | IEC 309  | 2.4 m       | 2450MHz   | 2         |  |



Falcon Foodservice Equipment, Wallace View, Hillfoots Road, Stirling, FK9 5PY, Scotland, UK  
 t: (0)1786 455200 info@falconfoodservice.com www.falconfoodservice.com