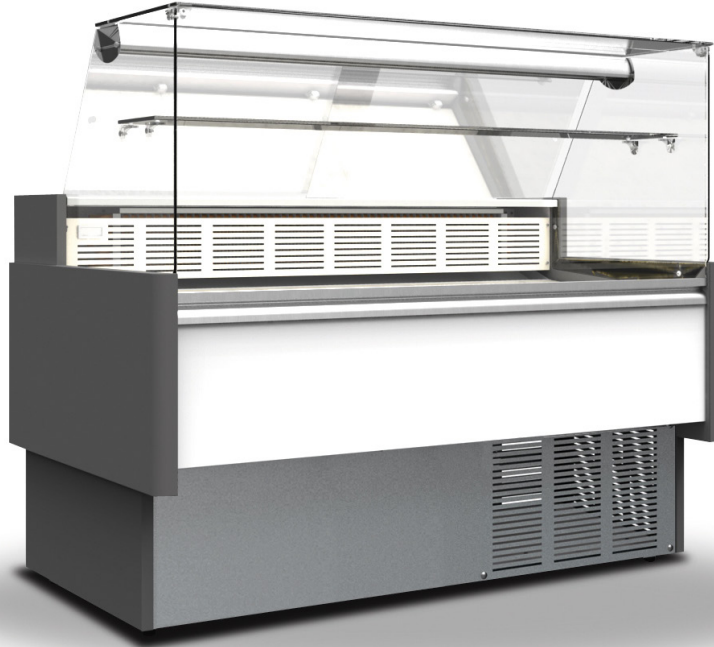
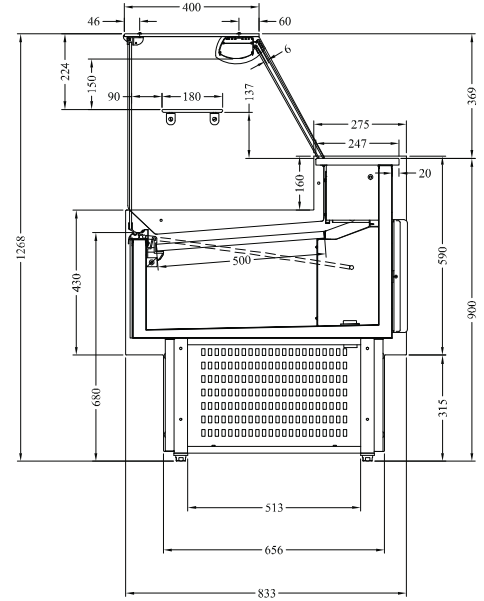


Project
Location
Item#
QTY

Model: A25F	Coldkit Araya A25F 2.5 Metre, Flat Glass, Serve Over Counter
----------------	---



## Technical Drawing



Key Features	Construction	Available Options
--------------	--------------	-------------------

- |  |   |   |
|--|---|---|
| <ul style="list-style-type: none"> <li>+1°C to +10°C temperature range</li> <li>Digital temperature control</li> <li>Refrigerated under storage</li> <li>Ambient intermediate shelf</li> <li>Lightweight design, easy to install</li> <li>Digital temperature control</li> <li>Digital temperature display</li> <li>Illuminated display deck</li> <li>500mm deep deck</li> <li>Switchable static or fan assisted cooling</li> <li>Fog resistant glass</li> <li>Suitable up to 30°C ambient</li> <li>R404a refrigerant</li> </ul> | <ul style="list-style-type: none"> <li>Painted steel construction</li> <li>Flat glass design</li> </ul> | <ul style="list-style-type: none"> <li>Any RAL colour front panel</li> <li>Perspex rear doors</li> <li>Stainless steel deck</li> <li>Step deck</li> </ul> |
|--|---|---|

## Technical Data

Model	A25F
Capacity	426 Litres
Display Area	1.62m <sup>2</sup>
Intermediate shelf dimensions	2402 x 180
External Dimensions	Width = 2500 Depth = 833 Height = 1268
Interior Finish	White
Exterior Finish	Grey / White
Rear Storage Doors	3
Internal Lighting	✓
Internal Lighting Type	Flourescent
Light switch	✓
Light switch position	Externally mounted
Temperature control	Digital
Temperature control position	External
Temperature range	+1° to +10°c
Refrigerant	R404a

Approvals

Available At

Document #

