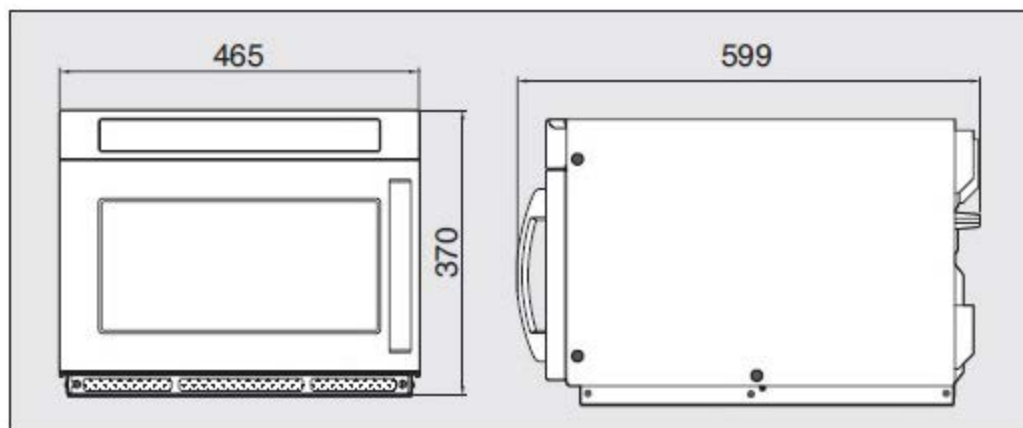


SPECIFICATIONS

| | | | |
|--------------------------------|--|--------------------------|---------|
| MODEL | KOM9F85 | KOM9F50 | |
| POWER SUPPLY | 240V AC 50Hz SINGLE PHASE WITH EARTHING | | |
| MICROWAVE | POWER CONSUMPTION | 3000W | 2600W |
| | OUTPUT POWER | 1850W | 1500W |
| | FREQUENCY | 2450Mhz | 2450Mhz |
| NET. WEIGHT | APPROX. 34kg (75.1lbs) | APPROX. 32.5kg (71.7lbs) | |
| OUTSIDE DIMENSIONS (W X H X D) | 465 X 370 X 599 mm (18.31 X 14.57 X 23.58 in.) | | |
| CAVITY DIMENSIONS (W X H X D) | 371 X 198.5 X 372 mm (14.61 X 7.81 X 14.66 in.) | | |
| TIMER | 60 min. | | |
| POWER SELECTIONS | 5 LEVELS | | |

* Specifications are subject to change without notice.



IMPORTANT

The wires in this mains lead fitted to this appliance are coloured in accordance with the following code.

Green-and-yellow : Earth
Blue : Neutral
Brown : Live

As the colours of the wires in the mains lead of this appliance may not correspond with the coloured markings identifying the terminals in your plug, proceed as follows: the wire which is coloured green-and-yellow must be connected to the terminal in the plug which is marked with the letter 'E', the earth symbol or coloured green-and-yellow. The wire which is coloured blue must be connected to the terminal which is marked with the letter 'N' or coloured black.

The wire which is coloured brown must be connected to the terminal which is marked with the letter 'L' or coloured red.