


# TUC-48-HC

 Undercounter Foodservice Refrigerator, 2 Solid Swing Doors



Dimensions	
External Width (mm)	1229
External Depth (mm)	766
External Height (mm)	839
Exclusions	Depth does not include 26 mm for rear bumpers.
Net Volume (Litres)	265
Gross Volume (Litres)	340
Supplied Shelves	4
Shelf Size (L x D mm)	Two 547 x 514 + Two 547 x 349
Internal Net Height (mm)	630
Unpackaged Weight (kg)	107
Packaged Weight (kg)	118
Packaged Dimensions (W x D x H mm)	1296 x 839 x 1207
Supplied Supports	Ø 64 mm castors (83 mm height) (reduced height option available, totals 810 mm)

Build	
Door Description	2 Solid Swing Doors
Exterior Construction	Stainless steel front & countertop, aluminium sides & rear
Interior Construction	Clear coated aluminium, stainless steel base
Air Intake Position	Front
Ventilation Position	Front
Clearance Required	Zero back and sides
Cord Length (Meters)	2.13
Standard w/ Locks	Not standard (SPEC3 option)

Technical	
Temperature Holding	0.5 : 3.3°C
Refrigerant	R290
Voltage / Frequency / Phase	220-240V/50-60Hz/1
Amps	1
Wattage	230
Climate Class	5
Operating Statement	Heavy Duty: This appliance is intended for use in ambient temperatures up to 40°C.
Testing Standard	EN 16825
EEC	A
EEl	24.1
kWh/24hr	1.64
kWh/Annum	602
Defrost Type	Auto



Specifications subject to change without notice.  
Chart dimensions rounded up to the next whole millimeter (inches rounded up to the 1/8")

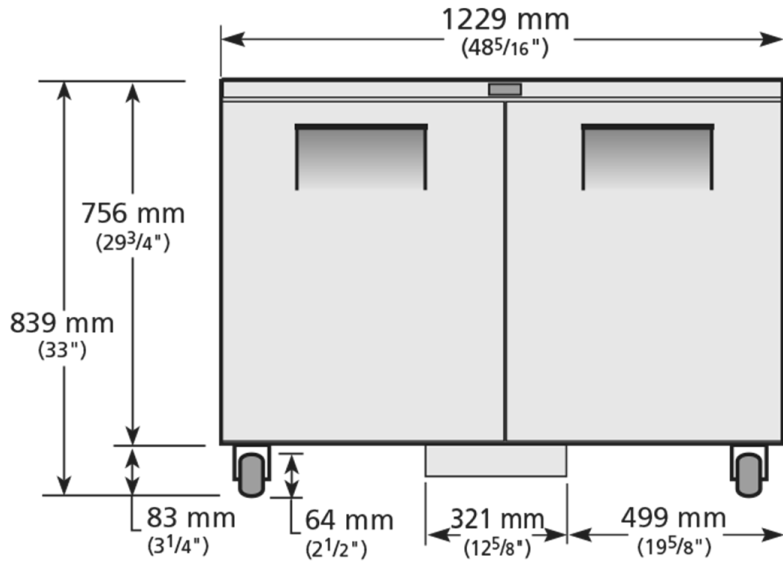
UK & Ireland [0800 783 2049](tel:08007832049)  
Europe [+49 \(0\) 7622 6883 0](tel:+490762268830)  
Australia [+61 2 9619 9999](tel:+61296199999)

[TFIUK@truemfg.com](mailto:TFIUK@truemfg.com)  
[TrueGermCustomerService@truemfg.com](mailto:TrueGermCustomerService@truemfg.com)  
[TrueRefAus@truemfg.com](mailto:TrueRefAus@truemfg.com)

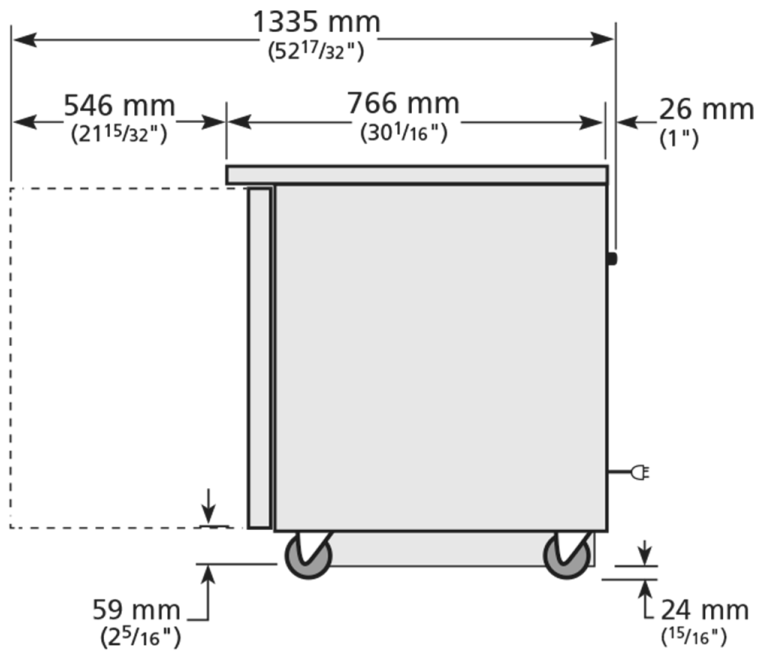
**True**  
REFRIGERATION

# TUC-48-HC

Undercounter Foodservice Refrigerator, 2 Solid Swing Doors



ELEVATION



**WARRANTY** 5 YEARS  
PARTS, COMPRESSOR AND LABOUR  
natural refrigerant.

Specifications subject to change without notice.  
Chart dimensions rounded up to the next whole millimeter (inches rounded up to the 1/8")

UK & Ireland  
Europe  
Australia

0800 783 2049  
+49 (0) 7622 6883 0  
+61 2 9619 9999

TFIUK@truemfg.com  
TrueGermCustomerService@truemfg.com  
TrueRefAus@truemfg.com

