

# TUC-27F-HC

Undercounter Foodservice Freezer, 1 Solid Swing Door



| Dimensions                         |   |
|------------------------------------|---|
| External Width (mm)                | 702   |
| External Depth (mm)                | 766   |
| External Height (mm)               | 839   |
| Exclusions                         | Depth does not include 26 mm for rear bumpers.                                  |
| Net Volume (Litres)                | 143   |
| Gross Volume (Litres)              | 184   |
| Supplied Shelves                   | 2   |
| Shelf Size (L x D mm)              | One 590 x 488 + One 590 x 349   |
| Internal Net Height (mm)           | 630   |
| Unpackaged Weight (kg)             | 76  |
| Packaged Weight (kg)               | 87  |
| Packaged Dimensions (W x D x H mm) | 769 x 839 x 1207  |
| Supplied Supports                  | Ø 64 mm castors (83 mm height) (reduced height option available, totals 810 mm) |

| Build                 |  |
|-----------------------|--|
| Door Description      | 1 Solid Swing Door   |
| Door Opening          | Right (standard) or Left. Field Reversible.                |
| Exterior Construction | Stainless steel front & countertop, aluminium sides & rear |
| Interior Construction | Clear coated aluminium, stainless steel base               |
| Air Intake Position   | Front  |
| Ventilation Position  | Front  |
| Clearance Required    | Zero back and sides  |
| Cord Length (Meters)  | 2.13   |
| Standard w/ Locks     | Not standard (SPEC3 option)                                |

| Technical                   |  |
|-----------------------------|--|
| Temperature Holding         | -23°C  |
| Refrigerant                 | R290   |
| Voltage / Frequency / Phase | 220-240V/50-60Hz/1   |
| Amps                        | 1.3  |
| Wattage                     | 299  |
| Climate Class               | 5  |
| Operating Statement         | Heavy Duty: This appliance is intended for use in ambient temperatures up to 40°C. |
| Testing Standard            | EN 16825   |
| EEC                         | C  |
| EEl                         | 45.8   |
| kWh/24hr                    | 4.03   |
| kWh/Annum                   | 1472   |
| Defrost Type                | Auto   |



Specifications subject to change without notice.  
Chart dimensions rounded up to the next whole millimeter (inches rounded up to the 1/8")

UK & Ireland  
Europe  
Australia

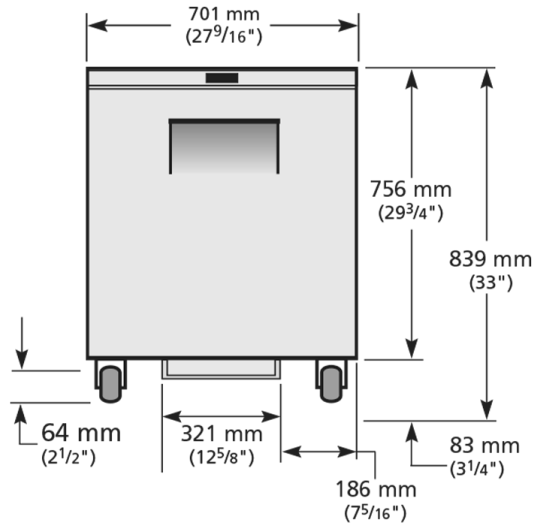
0800 783 2049  
+49 (0) 7622 6883 0  
+61 2 9619 9999

TFIUK@truemfg.com  
TrueGermCustomerService@truemfg.com  
TrueRefAus@truemfg.com

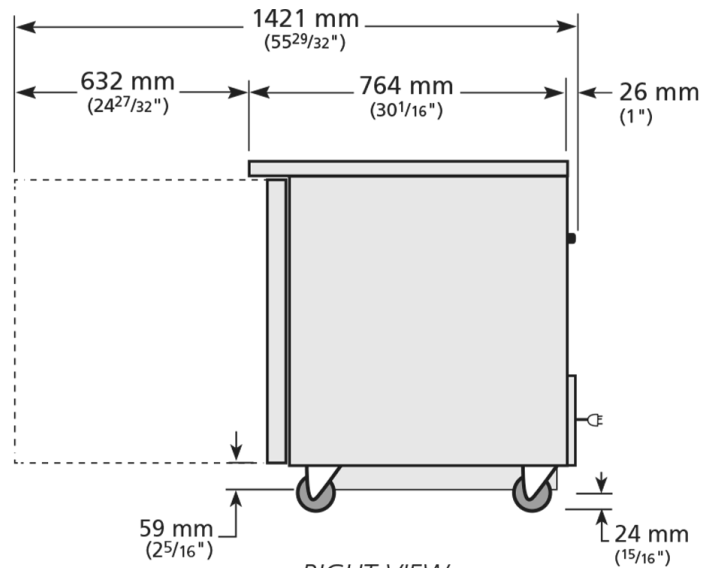


# TUC-27F-HC

Undercounter Foodservice Freezer, 1 Solid Swing Door



ELEVATION



RIGHT VIEW



Specifications subject to change without notice.  
Chart dimensions rounded up to the next whole millimeter (inches rounded up to the 1/8")

UK & Ireland  
Europe  
Australia

0800 783 2049  
+49 (0) 7622 6883 0  
+61 2 9619 9999

[TFIUK@truemfg.com](mailto:TFIUK@truemfg.com)  
[TrueGermCustomerService@truemfg.com](mailto:TrueGermCustomerService@truemfg.com)  
[TrueRefAus@truemfg.com](mailto:TrueRefAus@truemfg.com)

