

TUC-27D-2-HC

 Undercounter Foodservice Refrigerator, 2 Drawers



Dimensions		Build		Technical	
External Width (mm)	702	Number of Drawers	2	Temperature Holding	0.5 : 3.3°C
External Depth (mm)	766	Exterior Construction	Stainless steel front & countertop, aluminium sides & rear	Refrigerant	R290
External Height (mm)	839	Interior Construction	Clear coated aluminium, stainless steel base	Voltage / Frequency / Phase	220-240V/50-60Hz/1
Exclusions	Depth does not include 26 mm for rear bumpers.	Air Intake Position	Front	Amps	0.8
Net Volume (Litres)	39	Ventilation Position	Front	Wattage	184
Gross Volume (Litres)	184	Clearance Required	Zero back and sides	Climate Class	5
Per Drawer Capacity (max depth mm)	1x 1/1 GN (150)	Cord Length (Meters)	2.13	Operating Statement	Heavy Duty: This appliance is intended for use in ambient temperatures up to 40°C.
Unpackaged Weight (kg)	92	Standard w/ Locks	Standard	Testing Standard	EN 16825
Packaged Weight (kg)	103			EEC	A
Packaged Dimensions (W x D x H mm)	769 x 839 x 1207			EEL	23.9
Supplied Supports	ø 64 mm castors (83 mm height) (reduced height option available, totals 810 mm)			kWh/24hr	1.24
				kWh/Annum	451
				Defrost Type	Auto



Specifications subject to change without notice.
 Technical data above related to energy use based on testing of 50Hz or Dual Frequency models
 Chart dimensions rounded up to the next whole millimeter (inches rounded up to the 1/8")

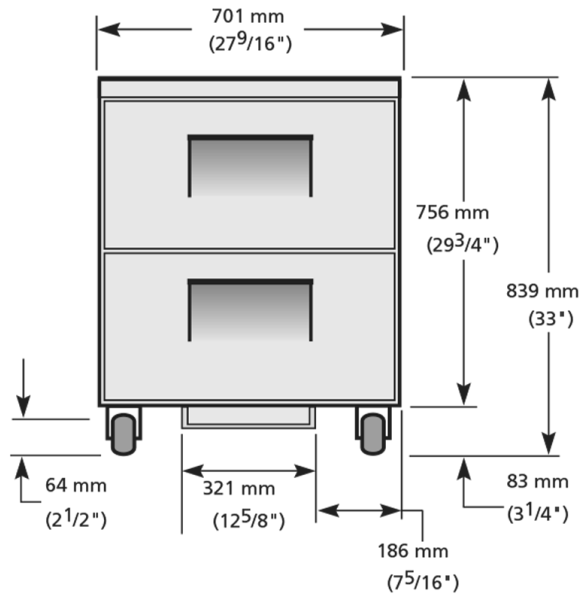
UK & Ireland [0800 783 2049](tel:08007832049)
 EMEA [+41 61 563 07 05](tel:+41615630705)
 Australia [+61 2 9619 9999](tel:+61296199999)

TFIUK@truemfg.com
TrueCHCustomerService@truemfg.com
TrueRefAus@truemfg.com

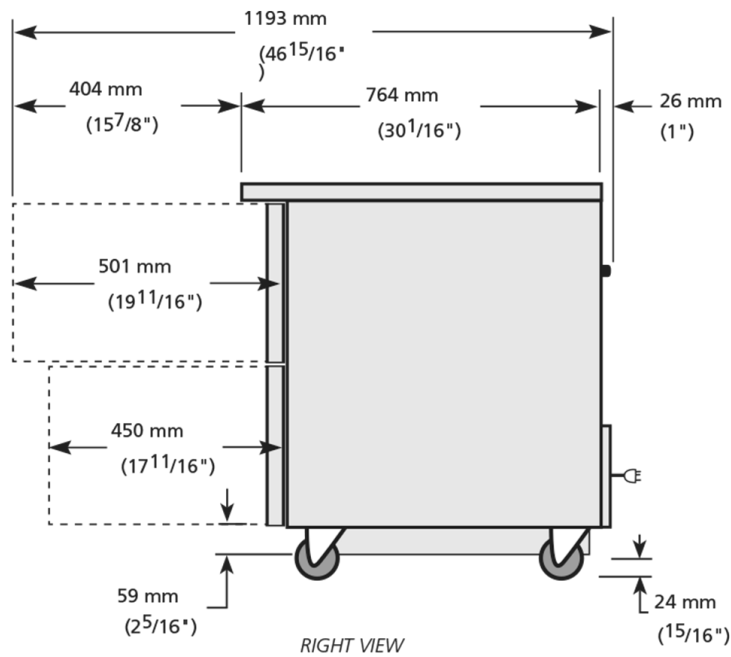


TUC-27D-2-HC

🇬🇧 Undercounter Foodservice Refrigerator, 2 Drawers



ELEVATION



RIGHT VIEW



Specifications subject to change without notice.
 Technical data above related to energy use based on testing of 50Hz or Dual Frequency models
 Chart dimensions rounded up to the next whole millimeter (inches rounded up to the 1/8")

UK & Ireland [0800 783 2049](tel:08007832049)
 EMEA [+41 61 563 07 05](tel:+41615630705)
 Australia [+61 2 9619 9999](tel:+61296199999)

TFIUK@truemfg.com
TrueCHCustomerService@truemfg.com
TrueRefAus@truemfg.com

