


Upright Cabinets

# T-35-HC-LD

 Upright Foodservice Refrigerator, 2 Full Solid Swing Doors



Dimensions		Build		Technical	
External Width (mm)	1004	Door Description	2 Full Solid Swing Doors	Temperature Holding	0.5 : 3.3°C
External Depth (mm)	750	Exterior Construction	Stainless steel front, aluminium sides & rear	Refrigerant	R290
External Height (mm)	2074	Interior Construction	Clear coated aluminium, stainless steel base	Voltage / Frequency / Phase	220-240V/50Hz/1
Exclusions	Depth does not include 13 mm for rear access panel.	Air Intake Position	Front	Amps	2.4
Net Volume (Litres)	630	Ventilation Position	Rear	Wattage	552
Gross Volume (Litres)	991	Clearance Required	26 mm rear, zero sides	Climate Class	4
Supplied Shelves	8	Cord Length (Meters)	2.74	Operating Statement	Regular Duty: This appliance is intended for use in ambient temperatures up to 30°C.
Shelf Size (L x D mm)	445 x 569	Internal Lighting	LED	Testing Standard	EN 16825
Internal Net Height (mm)	1300	Standard w/ Locks	standard	EEC	E
Unpackaged Weight (kg)	148			EEl	81.7
Packaged Weight (kg)	159			kWh/24hr	3.67
Packaged Dimensions (W x D x H mm)	1156 x 902 x 2134			kWh/Annum	1343
Supplied Supports	ø 64 mm castors (83 mm height)			Defrost Type	Auto



Specifications subject to change without notice.  
 Technical data above related to energy use based on testing of 50Hz or Dual Frequency models  
 Chart dimensions rounded up to the next whole millimeter (inches rounded up to the 1/8")

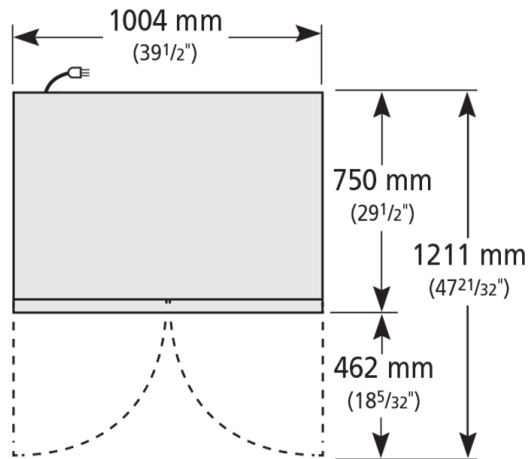
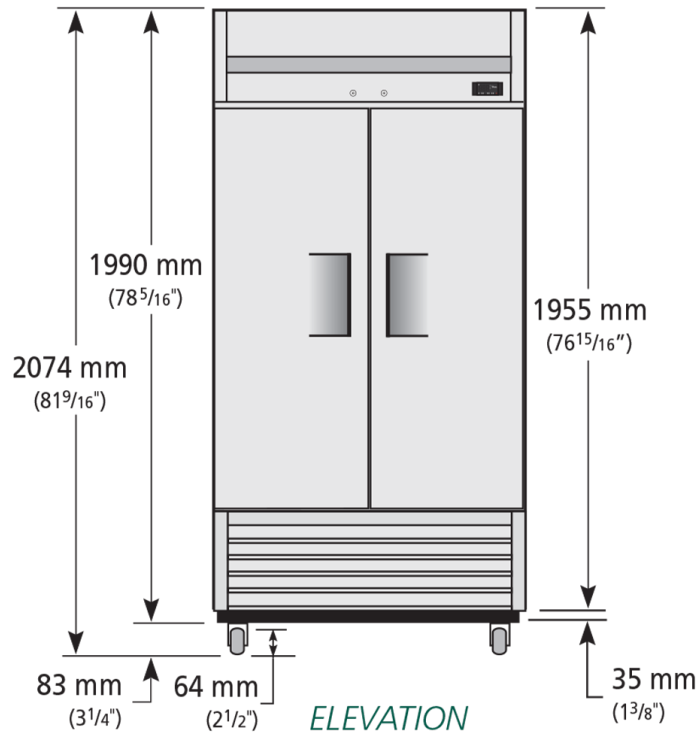
UK & Ireland [0800 783 2049](tel:08007832049)  
 EMEA [+41 61 563 07 05](tel:+41615630705)  
 Australia [+61 2 9619 9999](tel:+61296199999)

[TFIUK@truemfg.com](mailto:TFIUK@truemfg.com)  
[TrueCHCustomerService@truemfg.com](mailto:TrueCHCustomerService@truemfg.com)  
[TrueRefAus@truemfg.com](mailto:TrueRefAus@truemfg.com)



# T-35-HC-LD

🇬🇧 Upright Foodservice Refrigerator, 2 Full Solid Swing Doors



Specifications subject to change without notice.  
Technical data above related to energy use based on testing of 50Hz or Dual Frequency models  
Chart dimensions rounded up to the next whole millimeter (inches rounded up to the 1/8")

UK & Ireland [0800 783 2049](tel:08007832049)  
EMEA [+41 61 563 07 05](tel:+41615630705)  
Australia [+61 2 9619 9999](tel:+61296199999)

[TFIUK@truemfg.com](mailto:TFIUK@truemfg.com)  
[TrueCHCustomerService@truemfg.com](mailto:TrueCHCustomerService@truemfg.com)  
[TrueRefAus@truemfg.com](mailto:TrueRefAus@truemfg.com)

