

T-19F-HC

Upright Foodservice Freezer, 1 Full Solid Swing Door



| Dimensions | |
|------------------------------------|---|
| External Width (mm) | 686 |
| External Depth (mm) | 623 |
| External Height (mm) | 1995 |
| Exclusions | Depth does not include 13 mm for rear access panel. |
| Net Volume (Litres) | 350 |
| Gross Volume (Litres) | 538 |
| Supplied Shelves | 4 |
| Shelf Size (L x D mm) | 582 x 464 |
| Internal Net Height (mm) | 1300 |
| Unpackaged Weight (kg) | 105 |
| Packaged Weight (kg) | 116 |
| Packaged Dimensions (W x D x H mm) | 788 x 788 x 2058 |
| Supplied Supports | Ø 64 mm castors (83 mm height) |

| Build | |
|-----------------------|---|
| Door Description | 1 Solid Swing Door |
| Door Opening | Right (standard) or Left. |
| Exterior Construction | Stainless steel front, aluminium sides & rear |
| Interior Construction | Clear coated aluminium, stainless steel base |
| Air Intake Position | Front |
| Ventilation Position | Rear |
| Clearance Required | 26 mm rear, zero sides |
| Cord Length (Meters) | 2.74 |
| Internal Lighting | LED |
| Standard w/ Locks | standard |

| Technical | |
|-----------------------------|--|
| Temperature Holding | -23°C |
| Refrigerant | R290 |
| Voltage / Frequency / Phase | 220-240V/50Hz/1 |
| Amps | 2.3 |
| Wattage | 529 |
| Climate Class | 5 |
| Operating Statement | Heavy Duty: This appliance is intended for use in ambient temperatures up to 40°C. |
| Testing Standard | EN 16825 |
| EEC | D |
| EEL | 61.6 |
| kWh/24hr | 5.39 |
| kWh/Annum | 1970 |
| Defrost Type | Auto |



Specifications subject to change without notice.
Chart dimensions rounded up to the next whole millimeter (inches rounded up to the 1/8")

UK & Ireland
Europe
Australia

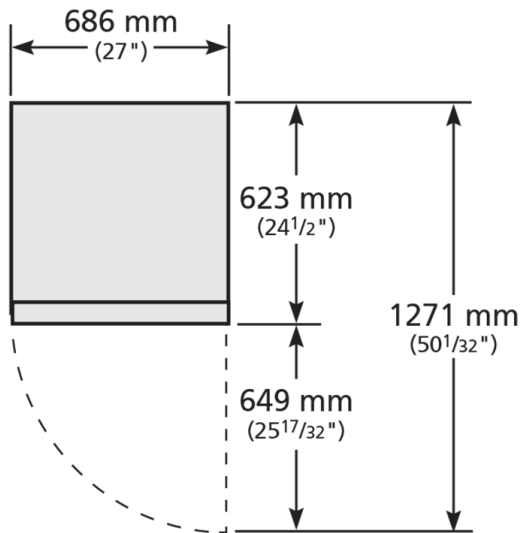
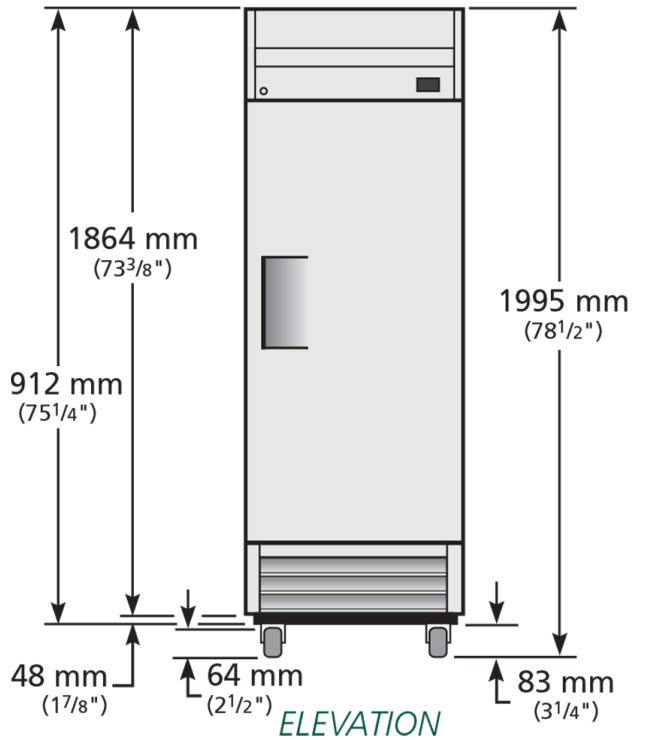
0800 783 2049
+49 (0) 7622 6883 0
+61 2 9619 9999

TFIUK@truemfg.com
TrueGermCustomerService@truemfg.com
TrueRefAus@truemfg.com



T-19F-HC

Upright Foodservice Freezer, 1 Full Solid Swing Door



Specifications subject to change without notice.
Chart dimensions rounded up to the next whole millimeter (inches rounded up to the 1/8")

UK & Ireland
Europe
Australia

0800 783 2049
+49 (0) 7622 6883 0
+61 2 9619 9999

TFIUK@truemfg.com
TrueGermCustomerService@truemfg.com
TrueRefAus@truemfg.com

