



Project Distribution Ltd
Unit 1 Sun Street, Stoke on Trent ST1 4JW
Tel:01782 280289 Fax: 01782 215955
www.prodis.co.uk sales@project-distribution.co.uk

Project

Location

Item#

QTY

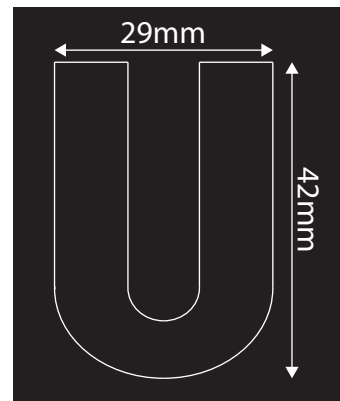
Model:
PS25

Icemaker - Paddle System
22kg production, 6kg storage



General Information

The Prodis PS25, benefits from a 22kg production per 24 hours and a 6kg storage bin. The paddle system ice production method produces a bullet shaped ice cube.



Key Features

Construction

Available Options

- Paddle system production
- Ideal for hard water areas
- Operates without thermostats
- Can be installed in ambient temperatures as low as 5°C or as high as 43°C.
- Space saving inward opening door
- Mains on off switch
- Tropicalised condensing unit

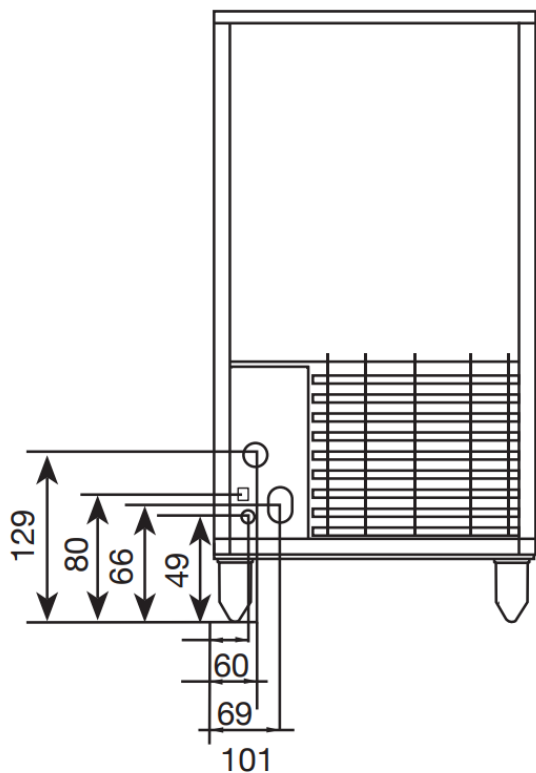
- AISI304 stainless steel construction

- Everpure 4H water filter

Technical Data

Model	PS25
Production / 24 hours	22kg
Storage bin	6kg
Ice shape	Bullet
Defrost type	Hot gas
Condenser type	Air
Evaporator	Finger
External Dimensions	Width = 401 Depth = 506 Height = 643*
Interior Finish	Food safe plastic
Exterior Finish	AISI304 Stainless Steel
Power supply	230v 50hz
Power rating	330w
Refrigerant	R290

*+15mm to 57mm adjustable feet



Approvals	Available At	Document #
