

New Crown Verity Island Grill

creates the ultimate outdoor kitchen area at your hotel, restaurant, country club or home and provides you with a complete outdoor cooking system including a 36" grill, sideburner and ample storage to stow your BBQ gear.



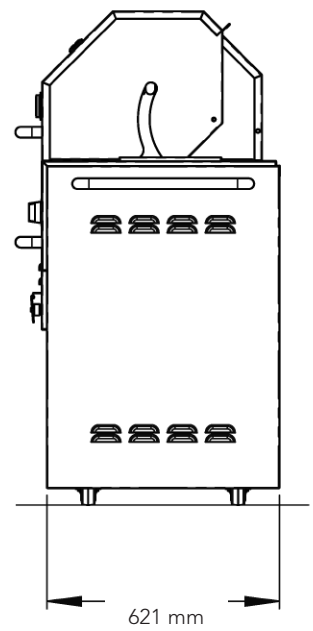
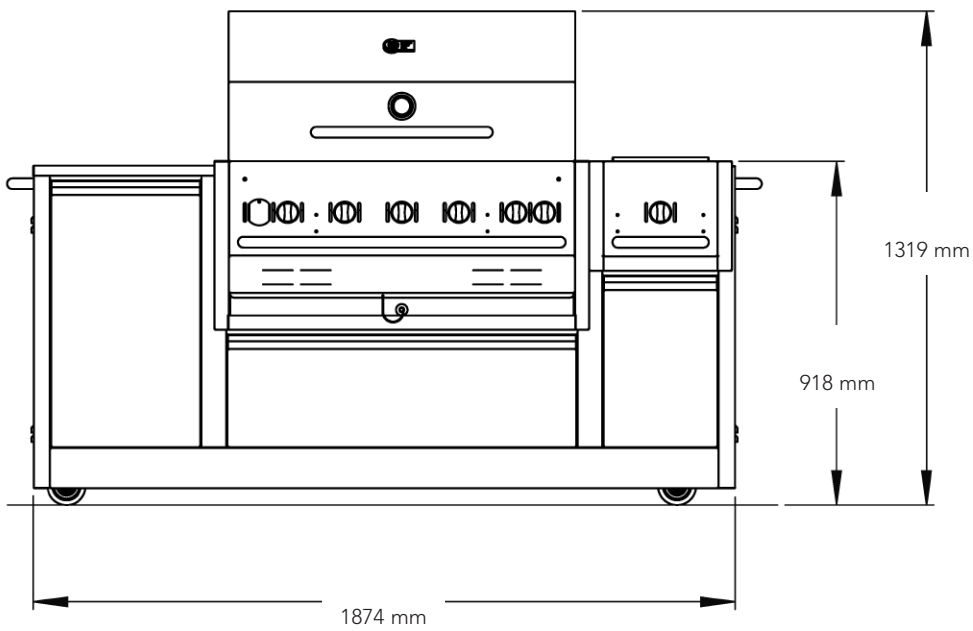
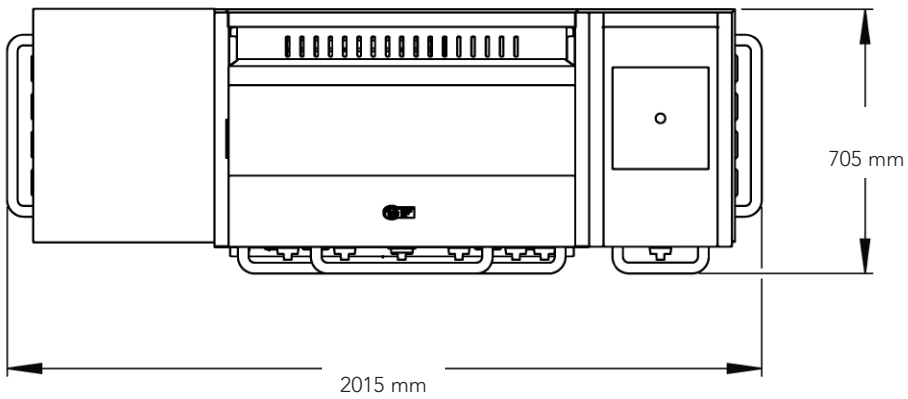
cv-mbi-80

Overall Dimensions (W x D x H) 2015 x 621 x 1319 mm			Actual Weight 186 kg
Burners 5	BTUH 79,500	Side Burner (BTU) 15,000	Cooking Surface (W x D) 864 x 533 mm
Capacity (PER HOUR) Up to 280 fresh burgers / 210 New York Strip Steaks			Shipping Weight (LBS) 510.0 / 231.3 kg

Features & Benefits

- Stylish design constructed from 300 series top grade stainless steel
- Powerful independent 15,000 btu stainless steel burners
- Easy clean with removable water pan
- Accommodates a 20 or 30 lb propane cylinder
- Four locking casters
- Ventilated cylinder compartment
- Complete package comes fully assembled
- Large storage compartments
- Convenient spice tray and utensil hooks
- Completely self contained and mobile
- ABR-36 Adjustable Bun Rack included
- Natural Gas or Propane

Model **CV-MBI-80 Island**



Options

- PGRID-36 Removable Griddle
- RFS-36 Removable Front Shelf
- G-1222 Removable Griddle Plate
- G-2022 Removable Griddle Plate
- BC-36BI BBQ Cover
- RT-36-BI Rotisserie
- SBK Smoker Box
- PGT-1117 Veggie / Fish Tray