



**Technical Information  
SP Potato Peelers**



October 2006  
(UK Version)

## Overview

The SP Range Peelers are amongst the fastest potato peelers on the market. Available in a choice of two load capacities, they provide the perfect peeling solution for smaller operations or larger, busier kitchens.

The range offers exceptional flexibility, with a choice of pedestal heights and waste outlets, and wall bracket mounted controls which can be positioned wherever required.

Extensive use of cast aluminium and stainless steel ensures a longer life. Fewer fixings and parts increases reliability whilst reducing maintenance.

## Electrical Connection

All electrical work must be carried out by a qualified electrician in accordance with the IEE Codes of Practice.

## Product Conformity

IMC SP peelers conform to the Machine Safety Directive 89/392/EEC as amended by 91/368/EEC and 93/44/EEC and are manufactured under quality system BSEN ISO 9001:2000. They also conform to the protection requirements of the Electro Magnetic Compatibility Directive 89/336/EEC and are manufactured in accordance with harmonised standards EN 50-014-1 Generic Emission and EN 50-014-2 Generic Immunity (plus product specific standards). They also satisfy the essential requirements of the Low Voltage Directive 73/23/EEC amended by 93/68/EEC.

All IMC SP peelers are WRAS approved and manufactured in accordance with standards BSEN60335-1 and BSEN 60335-2-16.

## Marine Applications

A range of marine voltages and a lid retaining strap are available and the stand can be deck bolted.

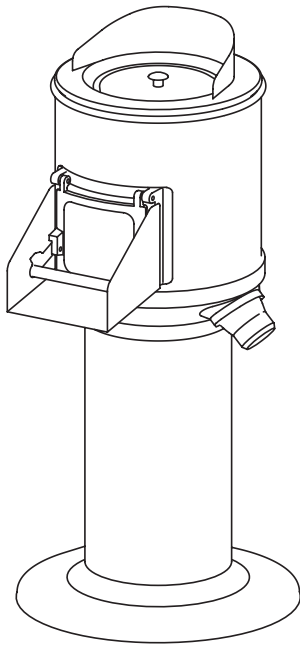
## Warranty

IMC SP peelers come with two years' parts and labour warranty (subject to usage and regular maintenance as laid down in the operation and installation manual).

## Spare Parts

Spare parts are available for all major serviceable items. Please contact:

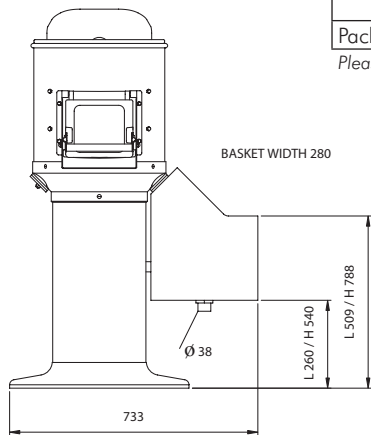
IMC service telephone:	+44 (0)1978 667743
IMC spares telephone:	+44 (0)1978 667764
Fax:	+44 (0)1978 729990
E-mail:	parts@imco.co.uk



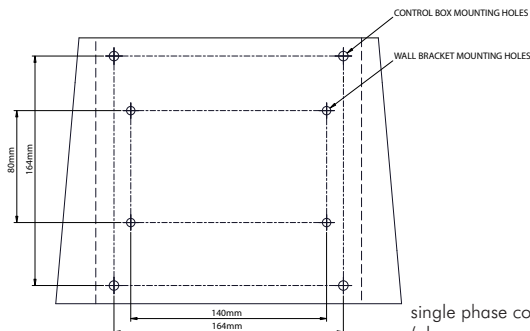
<b>SP12</b>	
<b>General</b>	
Mounting	Floor-mounted with low or high pedestal
Capacity	12kg (28lb)
Output	120kg/hour
Dimensions (h x w x d)	low pedestal 1120mm x 530mm x 624mm high pedestal 1400mm x 530mm x 624mm
Discharge height	low pedestal 650mm high pedestal 930mm
<b>Electrical information</b>	
Motor	0.37kW (0.5HP)
Voltages	230-1-50 400-3-50 460-3-60
Fuse rating	15A (1 phase) 5A (3 phase)
Operator controls	Control box (fixed to wall bracket) with on/off button(s), timer and continual run settings.
<b>Installation information</b>	
General	A level floor area 530mm x 624mm
Water connection	WRAS approved water inlet hose and airbreak supplied. Connect to an adjacent cold water supply.
Waste water outlet connection	1m long 75mm flexible waste pipe supplied for discharge into waste gully or floor standing interceptor tank. Can also be plumbed into waste using 2" BSP waste pipe connection.
Electrical connection	2.5m mains cable supplied with 13 amp plug for single phase. 3 phase to be wired into fused isolator switch.
<b>Other features</b>	
Operator safety	Controls prevent automatic restart if power is cut Low voltage IP65 rated operator controls
Special features	WRAS approved class A airbreak Quick and easy to clean Designed for easy maintenance Hygienic, robust stainless steel and cast construction Rust-proof peeling plate with reversible rust-proof liners Dual position for waste outlet Quiet operation Energy efficient
<b>Product code details</b>	
F58/900	SP12 230-1-50 with low pedestal
F58/901	SP12 400-3-50 & 460-3-60 with low pedestal
F58/902	SP12 230-1-50 with high pedestal
F58/903	SP12 400-3-50 & 460-3-60 with high pedestal
<b>Customer accessories</b>	
S58/569	Floor standing interceptor tank
S58/568	Integral filter basket
S58/570	Waste ejector for more effective waste evacuation
A29/003	Lid retaining strap
<b>Shipping specification</b>	
Packing dimensions (h x w x d)	low pedestal 1200mm x 560mm x 670mm high pedestal 1480mm x 560mm x 670mm
Packing volume	low pedestal 0.450m <sup>3</sup> high pedestal 0.555m <sup>3</sup>
Packing weight (gross/net)	63.5kg/51kg

Please note:

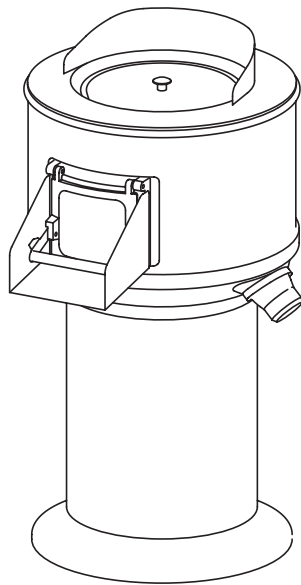
Capacities are approximate and output may vary depending on the type and age of potatoes used.  
All diagram dimensions are in mm.



SP12 with integral filter basket



single phase control box mounting bracket  
(please see page 3 for 3 phase)

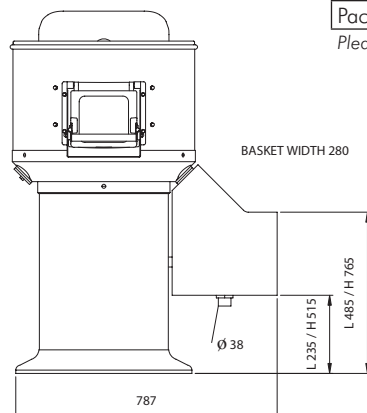


<b>SP25</b>	
<b>General</b>	
Mounting	Floor-mounted with low or high pedestal
Capacity	25kg (56lb)
Output	250kg/hour
Dimensions (h x w x d)	low pedestal 1080mm x 564mm x 725mm high pedestal 1360mm x 564mm x 725mm
Discharge height	low pedestal 650mm high pedestal 930mm
<b>Electrical information</b>	
Motor	0.75kW (1.0HP)
Voltages	230-1-50 400-3-50 460-3-60
Fuse rating	15A (1 phase) 5A (3 phase)
Operator controls	Control box (fixed to wall bracket) with on/off button(s), timer and continual run settings.
<b>Installation information</b>	
General	A level floor area 565mm x 725mm
Water connection	WRAS approved water inlet hose and air break supplied. Connect to an adjacent cold water supply.
Waste water outlet connection	1m long 75mm flexible waste pipe supplied for discharge into waste gully or floor standing interceptor tank. Can also be plumbed into waste using 2" BSP waste pipe connection.
Electrical connection	2.5m mains cable supplied with 13 amp plug for single phase. 3 phase to be wired into fused isolator switch.
<b>Other features</b>	
Operator safety	Controls prevent automatic restart if power is cut Low voltage IP65 water operator controls
Special features	WRAS approved class A airbreak Quick and easy to clean Designed for easy maintenance Hygienic, robust stainless steel and cast construction Rust-proof peeling plate with reversible rust-proof liners Dual position for waste outlet Quiet operation Energy efficient
<b>Product code details</b>	
F58/910	SP25 230-1-50 with low pedestal
F58/911	SP25 400-3-50 & 460-3-60 with low pedestal
F58/912	SP25 230-1-50 with high pedestal
F58/913	SP25 400-3-50 & 460-3-60 with high pedestal
<b>Customer accessories</b>	
S58/569	Floor standing interceptor tank
S58/568	Integral filter basket
S58/570	Waste ejector
A29/003	Lid retaining strap
<b>Shipping specification</b>	
Packing dimensions (h x w x d)	low pedestal 1200mm x 640mm x 790mm high pedestal 1480mm x 640mm x 790mm
Packing volume	low pedestal 0.607m <sup>3</sup> high pedestal 0.748m <sup>3</sup>
Packing weight (gross/net)	80kg/64.5kg

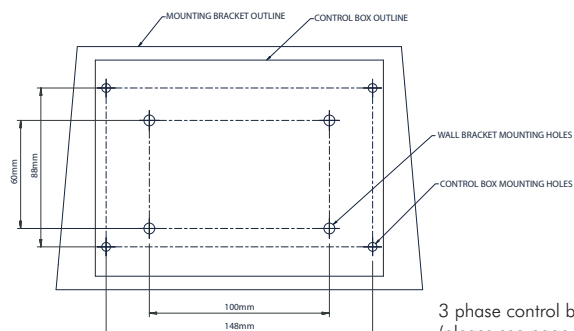
Please note:

Capacities are approximate and output may vary depending on the type and age of potatoes used.

All diagram dimensions are in mm.

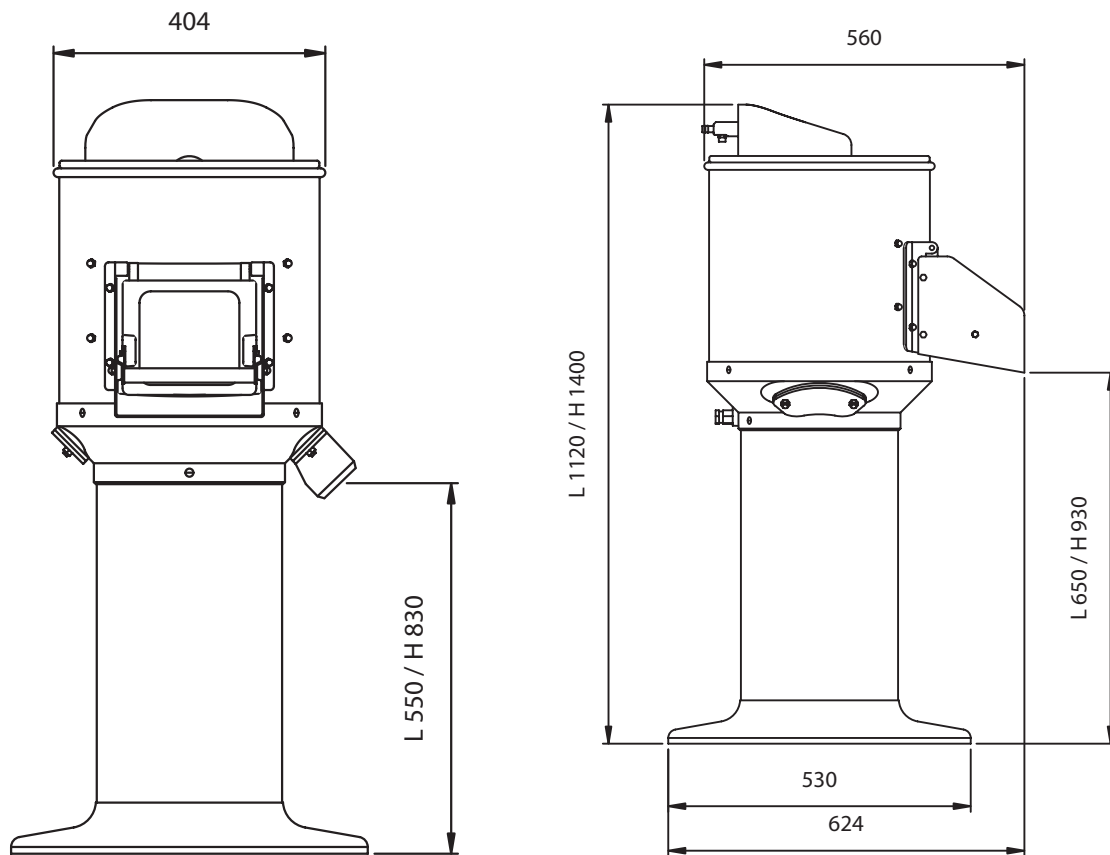


SP25 with integral filter basket

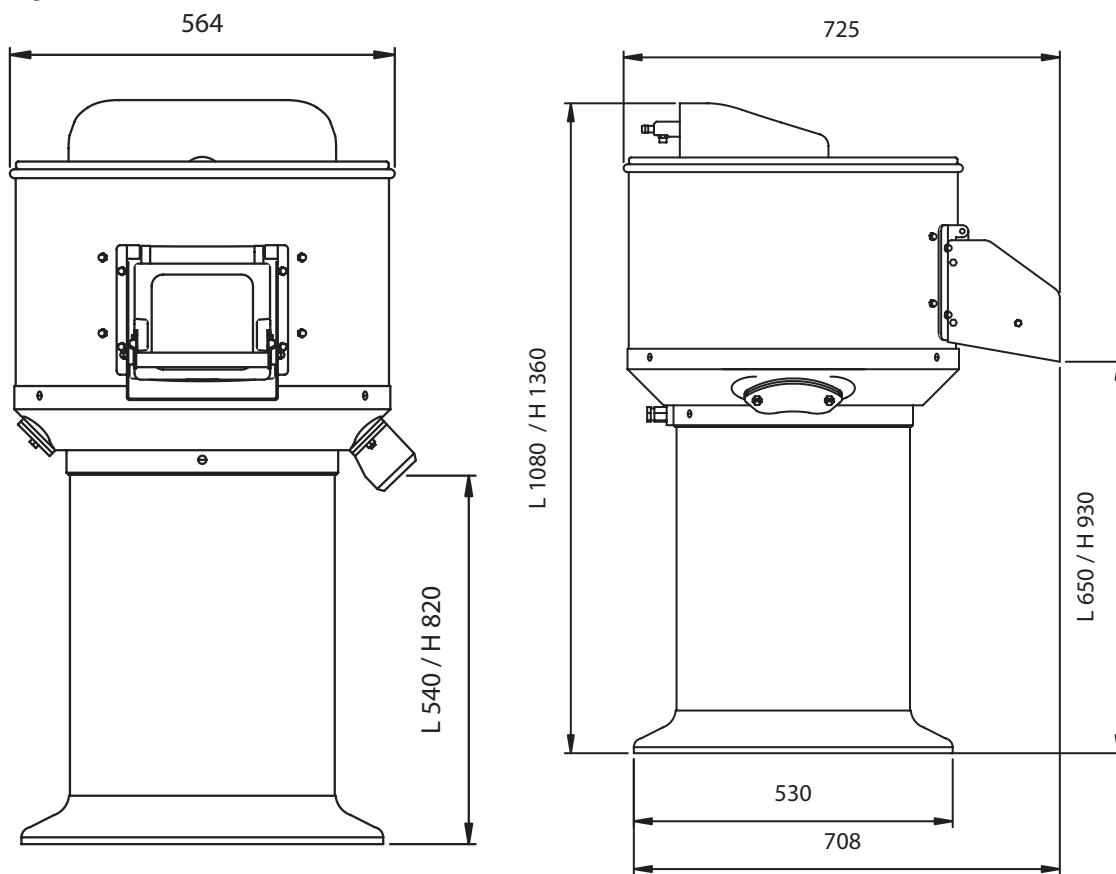


3 phase control box mounting bracket  
(please see page 2 for single phase)

SP12



SP25



L = low pedestal / H = high pedestal



Unit 1 Abbey Road  
Wrexham Industrial Estate  
Wrexham  
LL13 9RF  
United Kingdom

Tel: +44 (0)1978 661155  
Fax: +44 (0)1978 729990  
Email: [info@imco.co.uk](mailto:info@imco.co.uk)  
[www.imc-sp.co.uk](http://www.imc-sp.co.uk)

Specifications are subject to change without notice.

4CM/SPTI/1006UK