



GS4/N - Lincat Silverlink 600 Natural Gas Counter-top Griddle - Steel Plate - W 450 mm - 5.4 kW

Whether you're cooking eggs, bacon, burgers or vegetables, the versatile Silverlink 600 Gas Griddle won't let you down.

- ✓ 12 mm v machined steel plate providing even heat distribution and an easy to clean surface
- ✓ Thermostatically controlled to give accurate temperatures during the cooking process for consistent results
- ✓ The plate is fully welded into the frame to prevent leaks and places where food and carbon can build up
- ✓ Front mounted control for easy of use during cooking
- ✓ Piezo ignition for easy lighting of the burners
- ✓ Flame failure device for maximum safety

Specifications

Summary

| | |
|-----------------------------|-----------------------------------|
| Brand | Lincat |
| Range | Silverlink 600 |
| Power Type | Gas |
| Gas Type | Natural Gas |
| Unit Type | Counter-top |
| Available in UK Only | No |
| UK Warranty | 2 Years Parts and Labour Warranty |
| Export Warranty | Contact your local dealer |
| GTIN | 5056105104780 |

Power and Performance

| | |
|--|------------|
| BTU per Hour | 18,425 |
| Total Power kW | 5.4 |
| Cooking Area (Width x Depth) mm | 412 x 405 |
| Temperature Control | Mechanical |

Key Specifications

| | |
|---------------------------------|--------|
| Number of Heat Zones | 2 |
| Grill Plate Surface Type | Smooth |
| Grill Plate Material | Steel |

Weights and Dimensions

| | |
|----------------------------------|------|
| Unit Height (External) mm | 415 |
| Unit Width (External) mm | 450 |
| Unit Depth (External) mm | 650 |
| Net Weight Kg | 35.1 |

Supply Connections

| | |
|--|--------|
| Requires Installation | Yes |
| Requires Electrical Supply | No |
| Gas Connection BSP | 1/2" |
| Gas Consumption at full rate Natural m³ per Hour | 0.51 |
| Gas Pressure Natural mbar | 16.0 |
| Total heat input at full rate Natural kW | 5.4 |
| Total heat input at full rate Natural BTU per hour | 16,700 |

Shipping

| | |
|-------------------------|------|
| Packed Weight Kg | 49.2 |
| Packed Height cm | 63.5 |
| Packed Width cm | 70 |
| Packed Depth cm | 55 |

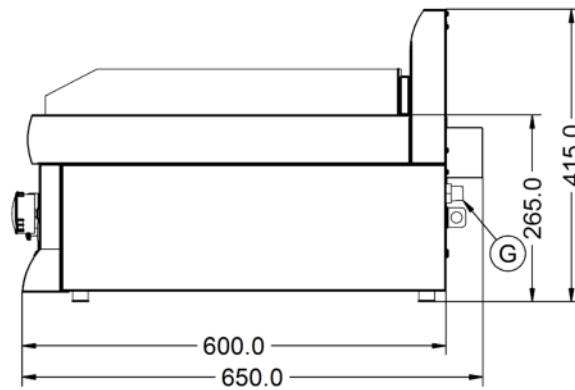
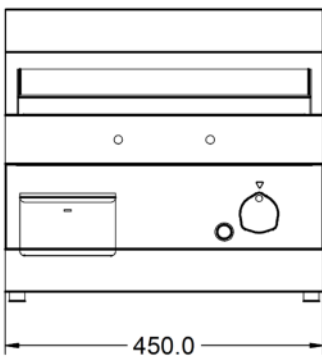
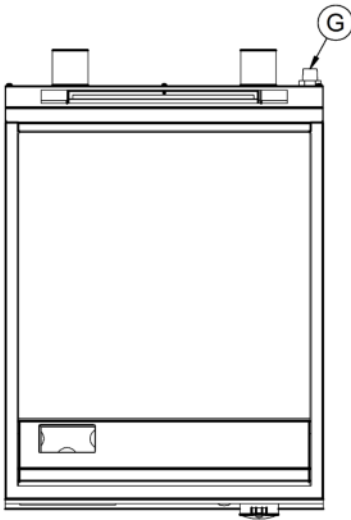
Available Accessories

| | |
|-------------|---|
| CH01 | Caterflex Hose 1/2" - 1 Metre - for use with units up to 66,000 BTU |
| CH02 | Caterflex Hose 1/2" - 1.5 Metre - for use with units up to 56,000 BTU |

Available Accessories

- CN4** Lincat Silverlink 600 Free-standing Ambient Open-Top Pedestal without Doors - W 450 mm
- SB4** 450 GRIDDLE SPLASHB
- SLS4** Lincat Silverlink 600 Free-standing Floor Stand - for units W 450 mm

Technical Picture





Lincat Limited

Whisby Road,
Lincoln, LN6 3QZ,
United Kingdom

Company No: 2175448

A member company of



Customer Care

Tel: +44 1522 875500
Email: care@lincat.co.uk

Export Customers

Tel: +44 1522 503250
Email: export@lincat.co.uk

Opening Hours

Monday – Friday:
8.30am – 5pm