



THE Eco

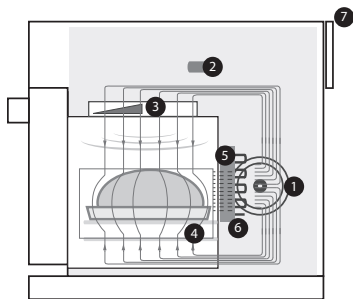


PERFORMANCE

Utilizing TurboChef's patented technology to rapidly cook food without compromising quality, the Eco provides superior cooking performance while requiring less space and consuming less energy.

VENTILATION

- Ventless certification
- EPA 202 test (8 hr):
 - Product: 162 Pepperoni Pizzas
 - Results: 0.89 mg/m³
 - Ventless Requirement: <5.00 mg/m³
- Internal catalytic filtration to limit smoke, grease, and odor emissions.



1. Blower Motor
2. Top-launched Microwave
3. Stirred Impinged Air (Top) and Microwave
4. Air Impingement (Bottom)
5. Catalytic Converter
6. Heater
7. Air Filter

Project _____

Item No. _____

Quantity _____

ECO

EXTERIOR CONSTRUCTION

- 430 stainless steel outer wrap and door
- Cool-to-touch exterior; all surfaces below 122°F/50°C
- Ergonomic door handle

INTERIOR CONSTRUCTION

- 201/304 stainless steel
- Fully welded and insulated cook chamber
- Removable rack and lower jetplate

STANDARD FEATURES

- Single motor vertically circulates air impingement
- Top-launched microwave system
- Stirrer to help ensure even distribution of air and microwave
- Integral recirculating catalytic converter for UL® (KNLZ) listed ventless operation
- External air filtration
- Smart menu system capable of storing up to 256 recipes
- Customizable menu settings via Wi-Fi (optional), USB, or manual entry
- Flash firmware updates via USB
- Single or dual-temperature interface
- Self-diagnostics for monitoring oven components and performance
- Smart Voltage Sensor Technology* (U.S. only)
- Stackable (requires stacking stand)
- Includes plug and cord (6 ft. nominal)
- Warranty – 1 year parts and labor

COMES WITH STANDARD ACCESSORIES

- 1 Bottle Oven Cleaner (103180)
- 1 Bottle Oven Guard (103181)
- 2 Trigger Sprayers (103182)
- 2 Solid Aluminum Pans (i1-9496)
- 1 Aluminum Paddle (i1-9716)

CERTIFICATIONS (pending)

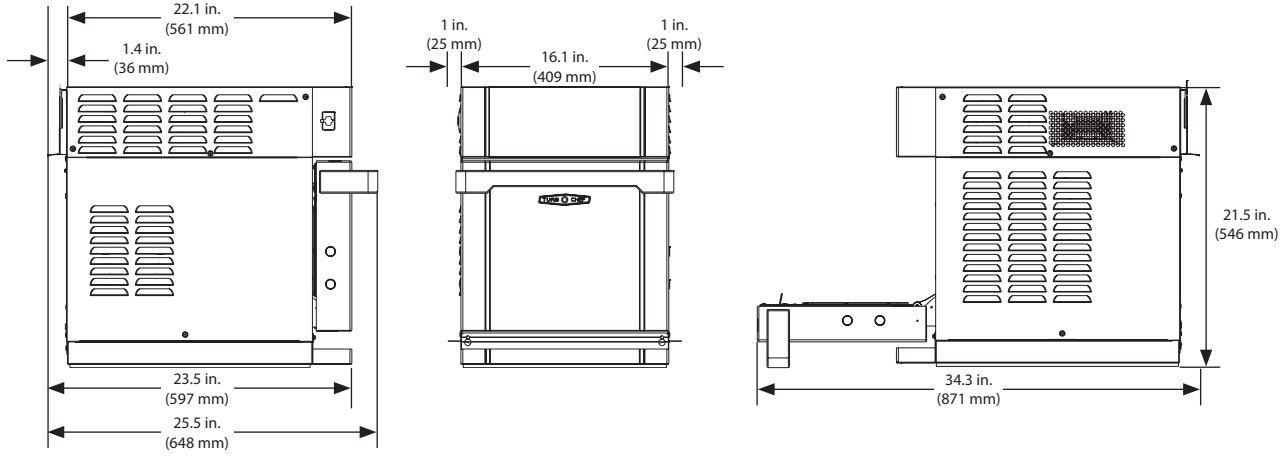
This product conforms to the ventilation recommendations set forth by NFPA96 using EPA202 test method.

* Smart Voltage Sensor Technology does not compensate for lack of or over voltage situations. It is the responsibility of the owner to supply voltage to the unit according to the specifications on the back of this sheet.

† Ventless certification is for all food items except for foods classified as "fatty raw proteins." Such foods include bone-in, skin-on chicken, raw hamburger meat, raw bacon, raw sausage, steaks, etc. If cooking these types of foods, consult local HVAC codes and authorities to ensure compliance with ventilation requirements.

Ultimate ventless allowance is dependent upon AHJ approval, as some jurisdictions may not recognize the UL certification or application. If you have questions regarding ventless certifications or local codes, please email ventless.help@turbochef.com

TurboChef reserves the right to make substitutions of components or change specifications without prior notice.



DIMENSIONS		
Single Units		
Height	21.5"	546 mm
Width	16.1"	409 mm
Depth	23.5"	597 mm
Weight	118 lb.	54 kg
Cook Chamber		
Height / Usable Height	6.9" / 5.7"	175 mm / 145 mm
Width	12.5"	318 mm
Depth	9.3"	236 mm
Volume / Usable Volume	0.46 cu.ft. / 0.38 cu.ft.	13.0 liters / 10.1 liters
Wall Clearance (Oven not intended for built-in installation)		
Top	5"	127 mm
Sides	2"	51 mm
SHIPPING INFORMATION		
U.S.: All ovens shipped within the U.S. are packaged in a double-wall corrugated box banded to a wooden skid. International: All International ovens shipped via Air or Less than Container Loads are packaged in wooden crates.		
Item class: 110 NMFC #26710 HS code 8419.81		

TurboChef Global Operations
 2801 Trade Center Drive | Carrollton, Texas 75007 USA
 US: 800.90TURBO (800.908.8726) | International: +1 214.379.6000
 Fax: +1 214.379.6073 | www.turbochef.com

ELECTRICAL SPECIFICATIONS - SINGLE PHASE		
Eco US Model (ECO-9500-1) – US/Canada		
Voltage	208/240 VAC	 NEMA 6-20P
Frequency	60 Hz	
Current (Max Circuit Requirement)	20 Amps	
Max Input	4.0 kW	
Eco UK Model (ECO-9500-2-UK) – International		
Voltage	220/240 VAC	 BS1363
Frequency	50 Hz	
Current (Max Circuit Requirement)	13 Amps	
Max Input	3.0 kW	
Eco EU Model (ECO-9500-3-UK) – International		
Voltage	220/240 VAC	 CEE7/V11
Frequency	50 Hz	
Current (Max Circuit Requirement)	16 Amps	
Max Input	3.6 kW	
Eco JK Model (ECO-9500-4-JK) – Japan		
Voltage	200 VAC	 JIS C 8303
Frequency	50/60 Hz	
Current (Max Circuit Requirement)	20 Amps	
Max Input	4.0 kW	
Eco JD Model (ECO-9500-4-JK) – Japan		
Voltage	200 VAC	 NEMA L15-20P
Frequency	50/60 Hz	
Current (Max Circuit Requirement)	20 Amps	
Max Input	4.0 kW	

TurboChef recommends installing a type D circuit breaker for European installations.