



Project Distribution Ltd
 Unit 1 Sun Street, Stoke on Trent ST1 4JW
 Tel:01782 280289 Fax: 01782 215955
 www.prodis.co.uk sales@project-distribution.co.uk

Project
Location
Item#
QTY

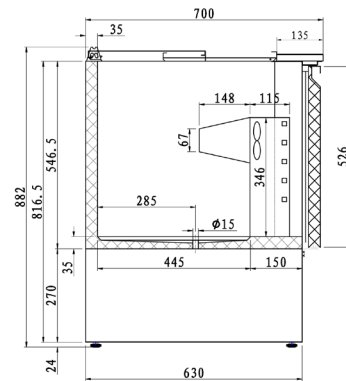
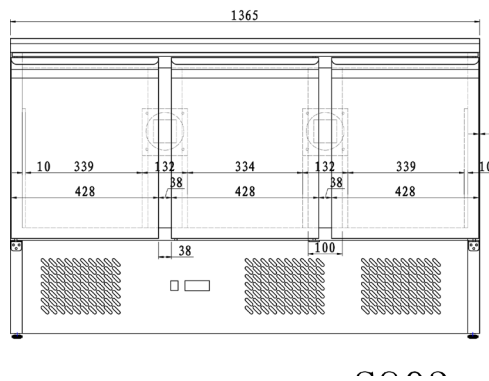
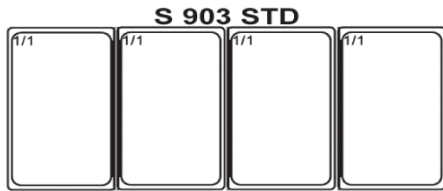
Model:
 EC-3SALAD

Gastronorm Compatible Compact 3 Door Saladette Counter
 3 doors, 410 litre capacity, 4 x 1/1GN top, undermount compressor



General Information

The Prodis EC-3SALAD is a fan assisted gastronorm compatible 3 door compact saladette counter refrigerator with 3 adjustable shelves, 4 x 1/1GN top, fan assisted cooling and digital temperature control.



Key Features

- +2°C to +8°C temperature range
- Fan assisted cooling
- 3 adjustable shelves
- 4 x 1/1GN topping well
- Digital temperature control
- Replaceable door gasket
- Compact design
- Undermount compressor
- Automatic defrost

Construction

- Stainless steel exterior
- Stainless steel interior
- Heavy duty full width drawer handle

Available Options

Technical Data

Model	EC-3SALAD
Capacity	410 Litres
External Dimensions	Width = 1365 Depth = 700 Height = 882
Interior Finish	Stainless Steel
Exterior Finish	Stainless Steel
Doors/Drawers	2/0
Self closing	×
Self closing mechanism	N/A
Locks	×
Shelves	N/A
Gastronorm Compatible	✓
Top Capacity	4 x 1/1GN
Temperature control	Digital
Temperature control position	External
Temperature range	+2° to +8°c
Refrigerant	R600a
Evaporator style	Skin
Fan assisted	✓



Approvals	Available At	Document #
