



DOMINATOR*PLUS*

E3101D Three Hotplate Oven Range

Key features

- Full depth heavy duty cast iron hotplates
 - Allows multiple cooking positions
- Independently controlled hotplates
 - Use hotplates same way as you would a solid top
- Full width, removable drip tray
 - Easy to remove and keep clean
- Vitreous enamelled oven chamber
 - Easy to clean and to keep clean
- Wide oven temperature range of 100 - 250°C
 - Ideal to prepare a wide variety of food
- Drop down oven door with 90° position hinge
 - Quick access to load and unload oven
- Oven has 5 shelf positions and allows 2 shelf cooking
 - Versatile, ideal for a wide range of menu items
- Laser-etched control icons
 - Permanent, indelible markings

Accessories

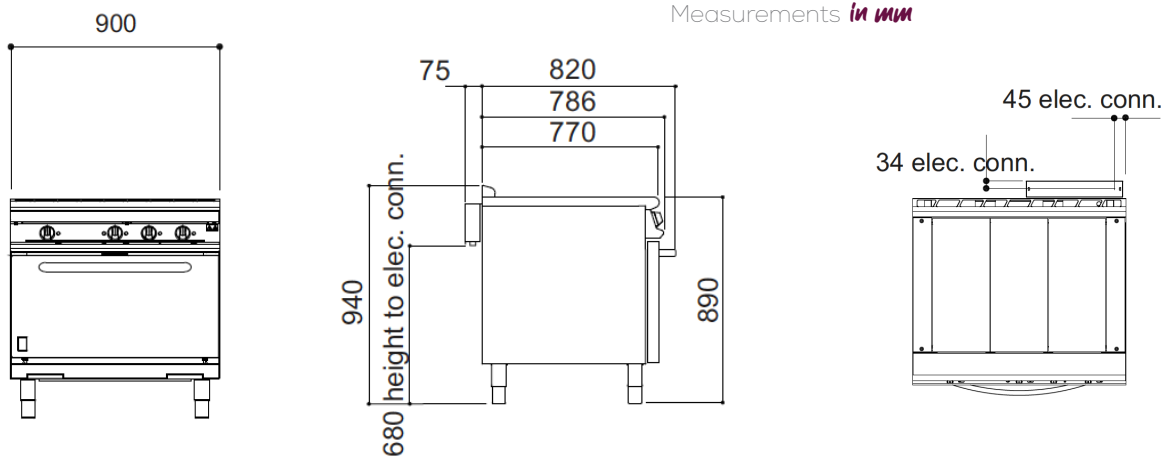
- Fully integrated extended flue
- Splashplate and plateshelf (not for use with extended flue)
- Oven shelf
- Factory fitted, adjustable castors
- Fixed installation kit



Similar Models

- E3101 3HP oven range
- E3101D 4HP oven range with drop down door
- E3101 OTC 3HP fan-assisted oven range
- E9184 4HP oven range

Three Hotplate Oven Range



Unit on castors is the same hob height

Specification *details*

Electrical rating (kW)	14.1	
Electrical supply voltage	400V 3N~	
Minimum electrical supply 400V 3N~ (A)	32	
Electrical current split (A)	L1: 14 L2: 28 L3: 22	
Hotplate rating (kW)	3.2 x 3	
Total oven element rating (kW)	5	
Oven dimensions (w x d x h - mm)	700 x 535 x 430	
Oven shelf (w x d - mm)	700 x 535	
Gastronorm compatibility	2/1	
Weight (kg)	154	
Packed weight (kg)	172	
Packed dimensions (w x d x h - mm)	1000 x 1000 x 1100	
GTIN numbers	On feet	On castors

Installation notes

Adequate ventilation must be provided to supply sufficient fresh air and to allow easy removal of any such products that may present a risk to health. Please consult current legislation for details that relate to specific locations.

Install unit on a level, fireproof surface in a well-lit position. If floor is made of a combustible material, local fire requirements must be checked to ensure compliance.

A clearance of 150mm should be observed between appliance and any combustible wall.

