

Technical data sheet for

## E27D3 ON THE SK2731N / SK2731U STAND

Full Size Digital / Electric Convection Oven  
on a Stainless Steel Stand



E27D3 Unit shall be a Moffat electrically heated Turbofan convection oven. The oven shall have a one piece vitreous enamel oven chamber, stainless top and sides and safe touch vented easy clean drop down door. Oven shall have capacity for three full size sheet pans. The oven shall have 4.5kW heating elements. The unit shall have a bi-directional single reversing fan system and feature a single halogen oven lamp. The oven shall be controlled by an electronic control having separate digital displays and adjusting knobs for time and temperature functions. The oven control shall allow both manual and programmed operating modes with programmable steam injection and 3 stage cooking. Oven shall be able to be bench mounted on 76mm feet or mounted on oven stand models SK2731N or SK2731U. Unit shall be supplied in 100% recyclable shipping packaging.

SK2731N Unit shall be a Moffat Turbofan stainless steel oven stand. The stand shall be constructed from stainless steel tube with castors, with front castors having dual swivel and wheel locks. It shall be fitted with 6 tray runners suitable for up to 600 x 400 trays and GN 1/1 pans. The stand shall be fully compatible with, and support, Turbofan Convection Oven models E27, E28, and E31. Unit shall be supplied in 100% recyclable shipping packaging.

SK2731U Unit shall be a Moffat Turbofan stainless steel oven stand. The stand shall be constructed from stainless steel tube with castors, with front castors having dual swivel and wheel locks. It shall be fitted with 6 tray runners suitable for up to 12 half size sheet pans or 6 full size sheet pans. The stand shall be fully compatible with, and support, Turbofan Convection Oven models E27, E28, and E31. Unit shall be supplied in 100% recyclable shipping packaging.

### STANDARD FEATURES

- 3 460mm x 660mm / 18" x 26" full size sheet pan capacity
- 3 400mm x 600mm tray capacity
- 85mm tray spacing
- Compact 810mm width
- Digital display Time and Temperature controls
- Large easy view ¾" / 20mm high displays
- Electronic thermostat control
- Electronic timer
- Manual mode and Program mode
- 20 programs with 3 stage cooking and stage end alarms
- Steam injection mode and manual injection
- Bi-directional reversing fan system
- 4.5kW heating power
- Vitreous enameled oven chamber
- Plug-in continuous oven door seal
- Safe-Touch vented drop down door
- Stay-Cool door handle
- Heavy-duty door hinges
- Easy clean door glass system
- Dual halogen oven lamps
- Dia. 180mm full stainless steel oven fan
- Anti-skid 50mm dia. 76mm high adjustable stainless steel feet
- 3 oven wire racks supplied
- 100% recyclable packaging

### ACCESSORIES

- Turbofan SK2731N Oven Stand suits 400mm x 600mm trays and GN 1/1 pans
- Turbofan SK2731U Oven Stand suits 460mm x 660mm / 18" x 26" pans

#### E27D3 Full Size Digital / Electric Convection Oven on a Stainless Steel Stand

##### CONSTRUCTION

Vitreous enameled fully welded oven chamber  
Stainless steel front, sides and top exterior  
Stainless steel oven fan baffle and oven vent  
Removable 3 position chrome plated wire side racks  
Oven racks chrome plated wire (3 supplied)  
Stainless steel frame drop down hinged door  
5mm thick door outer glass  
5mm thick low energy loss door inner glass  
Heavy-duty counterbalanced door hinges  
Wear resistant powder coated welded door handle  
Stainless steel control panel  
Aluminised coated steel base and rear panels

##### CONTROLS

Electronic controls with Digital Time and Temperature display,  
Manual or Program modes  
Large 20mm high LED displays  
Two individual time and temperature setting control knobs  
ON/OFF and Oven Lights key  
Timer Start/Stop key  
Steam injection key  
Programs select key  
Actual temperature display key  
Adjustable buzzer/alarm volume  
Thermostat range 50-260°C  
Timer range from 180 minutes in countdown mode  
Timer range up to 999 minutes in time count mode for holding, slow cooking  
Over-temperature safety cut-out

##### CLEANING

Stainless steel top and sides continuous exterior panel  
Vitreous enameled oven chamber  
Fully removable chrome plated oven side racks  
Removable stainless steel oven fan baffle  
Full stainless steel oven fan  
Easy clean door system with hinge out door inner glass (no tools required)  
Removable plug-in oven door seal (no tools required)  
76mm high stainless steel feet for easy access underside

##### SPECIFICATIONS

Electrical Requirements  
230-240V, 50Hz, 1P+N+E, 4.7kW, 19.6A  
No cordset supplied  
Water Requirements (optional)  
Cold water connection 3/4" BSP male  
80psi maximum inlet pressure / 20psi minimum inlet pressure  
External Dimensions

Width	810mm
Height	607mm including 76mm feet
Depth	762mm
Oven Internal Dimensions	
Width	695mm
Height	305mm
Depth	470mm
Volume	0.10m3
Oven Rack Dimensions	
Width	660mm
Depth	460mm
Nett Weight (E27D3)	61.9kg
Packing Data (E27D3)	
	79.5kg
	0.55m3
Width	870mm
Height	755mm
Depth	835mm

#### SK2731N / U Stainless Steel Stand

All stainless steel welded frame oven stand for Turbofan E27, E28 and E31 Series model ovens  
6 position tray runners standard  
76mm diameter wheel swivel castors standard with 2 front castors with dual swivel and wheel lock  
Welded 38mm and 32mm square tube front and rear frames  
Welded rack supports/side frames  
Top frame oven supports suit Turbofan E27, E28 and E31 Series oven mounting  
Supplied CKD for assembly on site

##### External Dimensions (SK2731N/U Oven Stand)

Width	810mm
Height	880mm
Depth	650mm
Nett Weight (SK2731N/U Oven Stand)	19.5kg

##### Packing Data (SK2731N/U Oven Stand)

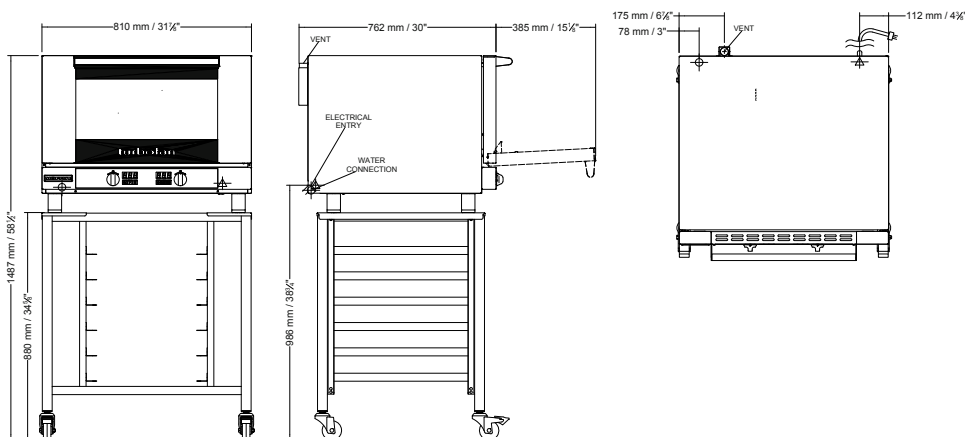
	22kg
	0.11m3
Width	830mm
Height	900mm
Depth	152mm

##### INSTALLATION CLEARANCES

Rear	25mm
LH Side	25mm
RH Side	25mm

##### CLEARANCE FROM SOURCES OF HEAT

A minimum distance of 300mm from the appliance sides is required



Australia  
www.moffat.com.au  
New Zealand  
www.moffat.co.nz  
www.turbofanoven.com

##### Australia

##### Moffat Pty Limited

Victoria/Tasmania  
740 Springvale Road  
Mulgrave, Victoria 3170  
Telephone 03-9518 3888  
Facsimile 03-9518 3833  
vsales@moffat.com.au

##### New South Wales

Telephone 02-8833 4111  
nswsales@moffat.com.au

##### South Australia

Telephone 03-9518 3888  
vsales@moffat.com.au

##### Queensland

Telephone 07-3630 8600  
qldsales@moffat.com.au

##### Western Australia

Telephone 08-9202 6820  
bgarcia@moffat.com.au

##### New Zealand

##### Moffat Limited

Christchurch  
45 Illinois Drive  
Izone Business Hub  
Rolleston 7675  
Telephone +64 3-983 6600  
Facsimile +64 3-983 6660  
sales@moffat.co.nz

##### Auckland

Telephone 09-574 3150  
sales@moffat.co.nz



ISO9001  
Quality  
Management  
Standard

Designed and manufactured by



##### ISO9001

All Turbofan products are designed and manufactured by Moffat using the internationally recognised ISO9001 quality management system, covering design, manufacture and final inspection, ensuring consistent high quality at all times.

In line with policy to continually develop and improve its products, Moffat Limited reserves the right to change specifications and design without notice.



© Copyright Moffat Ltd  
AN.TFN.S.1501