



## DF39 - Lincat Silverlink 600 Electric Counter-top Single Tank Fryer - 1 Basket - W 300 mm - 9.0 kW

The Silverlink 600 Electric Counter Top Fryer comes with higher powered elements to deliver 30kg of chips per hour, and is perfect for mobile operations, cafes, pubs and restaurants.

- ✓ Higher powered elements deliver an impressive 30kg of chips per hour
- ✓ Front mounted controls for safety
- ✓ Hinged elements to give easy access during cleaning
- ✓ Cool zone collects cooking debris - gives cleaner cooking results and saves money by prolonging the life of the oil
- ✓ Thermostatically controlled to give accurate cooking temperatures throughout cooking. Fail-safe top temperature cut out ensures safe operation.
- ✓ Fully moulded 304 stainless steel tank and heavy duty nickel plated baskets for the most demanding of operations
- ✓ Front drain off tap for easy removal of cooking oil

### Specifications

#### Summary

<b>Brand</b>	Lincat
<b>Range</b>	Silverlink 600
<b>Power Type</b>	Electric
<b>Unit Type</b>	Counter-top
<b>Available in UK Only</b>	No
<b>UK Warranty</b>	2 Years Parts and Labour Warranty
<b>Export Warranty</b>	Contact your local dealer
<b>GTIN</b>	5056105104599

#### Power and Performance

<b>Total Power kW</b>	9.0
<b>Temperature Range °C</b>	130-190
<b>IP Rating</b>	IP33
<b>Temperature Control</b>	Mechanical

#### Key Specifications

<b>Number of Baskets</b>	1
<b>Number of Tanks</b>	1
<b>Gravity Filtration</b>	No
<b>Pumped Filtration</b>	No
<b>Drain Location</b>	Front-mounted

#### Capacity

<b>Product Output per Hour</b>	26kg chips - 12mm [frozen], 30kg chips - 12mm [chi]
<b>Capacity Litres</b>	9.0

#### Weights and Dimensions

<b>Unit Height (External) mm</b>	330
<b>Unit Width (External) mm</b>	300
<b>Unit Depth (External) mm</b>	632
<b>Net Weight Kg</b>	14.6

#### Supply Connections

<b>Requires Installation</b>	Yes
<b>Requires Electrical Supply</b>	Yes
<b>UK 3 Pin Plug</b>	No
<b>Requires Hardwiring</b>	Yes
<b>Electrical Supply Rating Watts</b>	9,000
<b>Single Phase Amps</b>	39.0
<b>Single Phase Voltage</b>	230
<b>Three Phase Amps</b>	L1=13.0; L2=13.0; L3=13.0
<b>Three Phase Voltage</b>	400

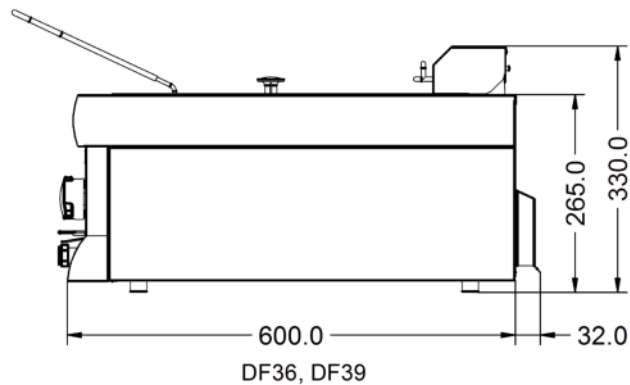
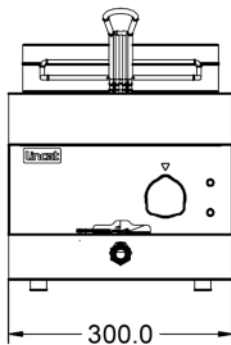
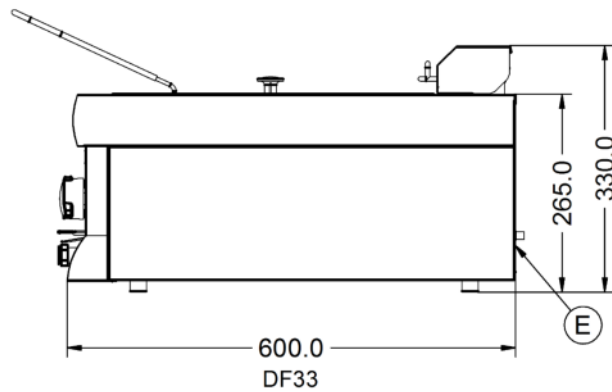
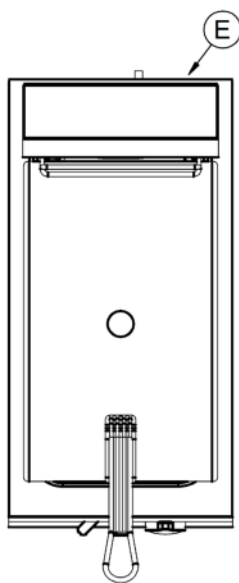
#### Shipping

<b>Packed Weight Kg</b>	17.6
<b>Packed Height cm</b>	49.5
<b>Packed Width cm</b>	70
<b>Packed Depth cm</b>	40

## Available Accessories

<b>BA96</b>	BASKET SPUN DFSMALL
<b>CC3</b>	Lincat Silverlink 600 Free-standing Ambient Open-Top Pedestal with Doors - W 300 mm
<b>CN3</b>	Lincat Silverlink 600 Free-standing Ambient Open-Top Pedestal without Doors - W 300 mm
<b>HC3</b>	Lincat Silverlink 600 Free-standing Heated Open-Top Pedestal with Doors - W 300 mm - 0.25 kW
<b>HCL3</b>	Lincat Silverlink 600 Free-standing Heated Pedestal with Legs and Doors - W 300 mm - 0.25 kW
<b>SLS3</b>	Lincat Silverlink 600 Free-standing Floor Stand - for units W 300 mm

## Technical Picture





#### Lincat Limited

Whisby Road,  
Lincoln, LN6 3QZ,  
United Kingdom

**Company No:** 2175448

A member company of



#### Customer Care

**Tel:** +44 1522 875500  
**Email:** [care@lincat.co.uk](mailto:care@lincat.co.uk)

#### Export Customers

**Tel:** +44 1522 503250  
**Email:** [export@lincat.co.uk](mailto:export@lincat.co.uk)

#### Opening Hours

**Monday – Friday:**  
8.30am – 5pm