



## CG4/P - Lincat Silverlink 600 Propane Gas Counter-top Chargrill - W 450 mm - 17.6 kW

Create that distinctive chargrilled flavour and branded appearance without the need for messy lava rocks with the Silverlink 600 Gas Chargrill.

- ✓ Uses radiants which replaces the need for using messy lava rocks
- ✓ Twin zones for maximum flexibility
- ✓ The variable heat control and heat retaining cooking grids produce the clean, sharp chargrilled marks
- ✓ Splashguard to protect surrounding surfaces from splashes
- ✓ Removable branding bars to allow for easy cleaning and access
- ✓ Drip drawer to collect all the cooking liquids to reduce cleaning times

### Specifications

#### Summary

<b>Brand</b>	Lincat
<b>Range</b>	Silverlink 600
<b>Power Type</b>	Gas
<b>Gas Type</b>	Propane Gas
<b>Unit Type</b>	Counter-top
<b>Available in UK Only</b>	No
<b>UK Warranty</b>	2 Years Parts and Labour Warranty
<b>Export Warranty</b>	Contact your local dealer
<b>GTIN</b>	5056105104537

#### Power and Performance

<b>BTU per Hour</b>	60,051
<b>Total Power kW</b>	17.6
<b>Cooking Area (Width x Depth) mm</b>	375 x 440
<b>Temperature Control</b>	Mechanical

#### Key Specifications

<b>Number of Heat Zones</b>	2
-----------------------------	---

#### Capacity

<b>Product Output per Hour</b>	71 x 115g [4oz] burgers [frozen]
--------------------------------	----------------------------------

#### Weights and Dimensions

<b>Unit Height (External) mm</b>	414
<b>Unit Width (External) mm</b>	450
<b>Unit Depth (External) mm</b>	652
<b>Net Weight Kg</b>	27

#### Supply Connections

<b>Requires Installation</b>	Yes
<b>Requires Electrical Supply</b>	No
<b>Gas Connection BSP</b>	1/2"
<b>Gas Consumption at full rate Propane m<sup>3</sup> per Hour</b>	1.26
<b>Gas Pressure Propane mbar</b>	20
<b>Total heat input at full rate Propane kW</b>	14.5
<b>Total heat input at full rate Propane BTU per hour</b>	49,500

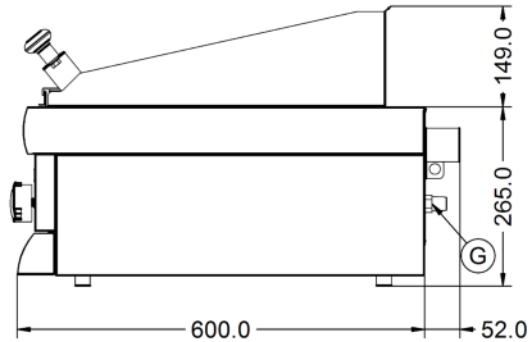
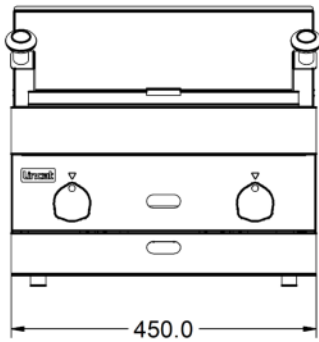
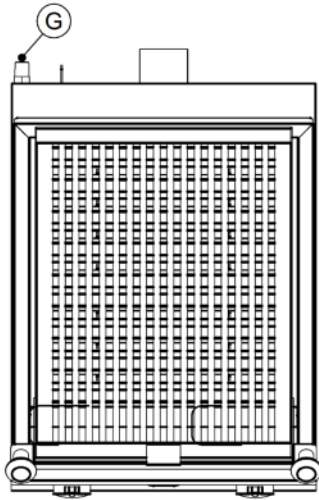
#### Shipping

<b>Packed Weight Kg</b>	35.5
<b>Packed Height cm</b>	63.5
<b>Packed Width cm</b>	70
<b>Packed Depth cm</b>	55

### Available Accessories

<b>CH01</b>	Caterflex Hose 1/2" - 1 Metre - for use with units up to 66,000 BTU
<b>CN4</b>	Lincat Silverlink 600 Free-standing Ambient Open-Top Pedestal without Doors - W 450 mm
<b>SLS4</b>	Lincat Silverlink 600 Free-standing Floor Stand - for units W 450 mm

## Technical Picture



### Lincat Limited

Whisby Road,  
Lincoln, LN6 3QZ,  
United Kingdom

Company No: 2175448

A member company of



### Customer Care

Tel: +44 1522 875500  
Email: [care@lincat.co.uk](mailto:care@lincat.co.uk)

### Export Customers

Tel: +44 1522 503250  
Email: [export@lincat.co.uk](mailto:export@lincat.co.uk)

### Opening Hours

Monday – Friday:  
8.30am – 5pm