

## C9D-B

### 900mm Six Burner Gas Cooktop Bench Model



C9D-B

- Countertop Bench Model
- 900mm wide
- 6 open burners
- 5kW open burner rating
- Flame failure standard on open burners
- Cast iron burners and vitreous enamel potstands
- Adjustable bench feet
- Stainless steel finish

#### Also Available



C9A-B



C9B-B



C9C-B

#### OVERALL CONSTRUCTION

- Cast iron open burner heads with vitreous enamelled cast iron caps
- Vitreous enamelled potstands
- Vitreous enamelled control panel
- Stainless steel front, sides and splashback
- Stainless steel spill tray
- 63mm dia. stainless steel adjustable bench feet

#### CONTROLS

- Large easy use control knobs
- Variable high to low controls to open burners
- Flame failure standard on open burners

#### CLEANING AND SERVICING

- Easy clean stainless steel exterior
- Vitreous enamelled potstands and burner caps
- Lift off open burner caps and removable burners
- Removable spill trays
- Access to all parts from front of unit

#### Matching Products



CR9D



CR6C



CF2



C9C



C6D



C450



CP4



CS9 / C900-S



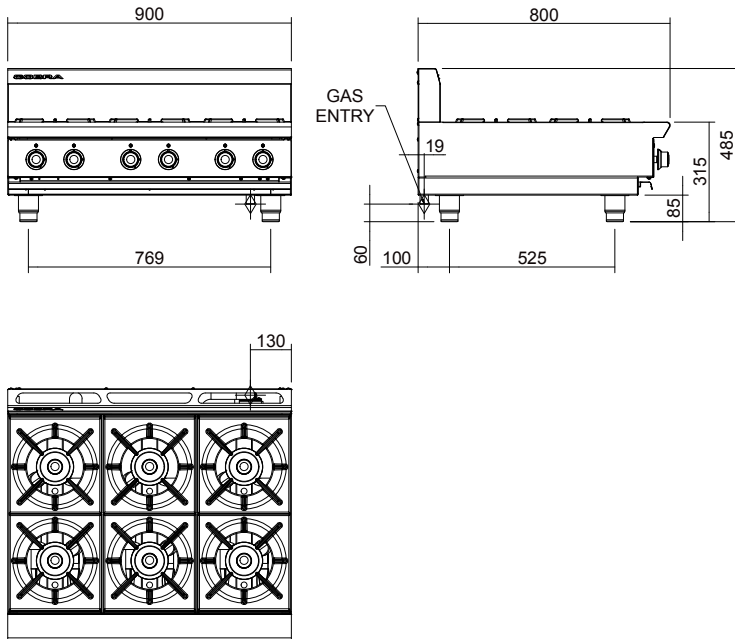
CT6



C300

## C9D-B

### 900mm Six Burner Gas Cooktop Bench Model



C9D-B

#### SPECIFICATIONS

**Burners**  
 Open Burners;  
 Natural Gas  
 5.0kW each  
 Propane gas  
 4.6kW each  
**Gas power**  
 Natural gas  
 30.0kW (nett), 113,680 Btu/hr (gross)  
 Propane gas  
 30.0kW (nett), 102,360 Btu/hr (gross)  
**Gas flow rate**  
 Natural gas 3.18m<sup>3</sup>/hr  
 Propane gas 2.16kg/hr  
**Gas connection**  
 R 3/4 (BSP) male  
 130mm from RH side, 20mm from rear, and 60mm from bench

**Dimensions**  
 Width 900mm  
 Depth 800mm  
 Height 315mm  
 Incl. splashback 485mm  
**Nett weight**  
 61.5kg

**Packing data**  
 0.72m<sup>3</sup>, 98kg  
 Width 1010mm  
 Depth 955mm  
 Height 750mm

**Gas types**  
 Available in Natural gas and Propane gas,  
 please specify when ordering  
 Other gas types on request

[blue-seal.co.uk](http://blue-seal.co.uk)

**United Kingdom**  
[blue-seal.co.uk](http://blue-seal.co.uk)

**Blue Seal Limited**  
 Unit 67  
 Gravelly Business Park  
 Gravelly  
 Birmingham B24 8TQ  
 England  
 Telephone 0121-327 5575  
 Facsimile 0121-327 9711  
[sales@blue-seal.co.uk](mailto:sales@blue-seal.co.uk)

**Australia**  
[moffat.com.au](http://moffat.com.au)

**Moffat Pty Limited**  
 740 Springvale Road  
 Mulgrave, Victoria 3170  
 Australia  
 Telephone +613-9518 3888  
 Facsimile +613-9518 3833  
[vsales@moffat.com.au](mailto:vsales@moffat.com.au)

**New Zealand**  
[moffat.co.nz](http://moffat.co.nz)

**Moffat Limited**  
 Rolleston  
 45 Illinois Drive  
 Izone Business Hub  
 Rolleston 7675  
 Telephone +64 3-983 6600  
 Facsimile +64 3-983 6660  
[sales@moffat.co.nz](mailto:sales@moffat.co.nz)



ISO9001  
 Quality  
 Management  
 Standard

Designed and manufactured by



ISO9001

All Cobra products are designed and manufactured by Moffat using the internationally recognised ISO9001 quality management system, covering design, manufacture and final inspection, ensuring consistent high quality at all times.

In line with policy to continually develop and improve its products, Moffat Limited reserves the right to change specifications and design without notice.



© Copyright Moffat Ltd  
 UK.C.01.19 / 1622

an Ali Group Company



The Spirit of Excellence